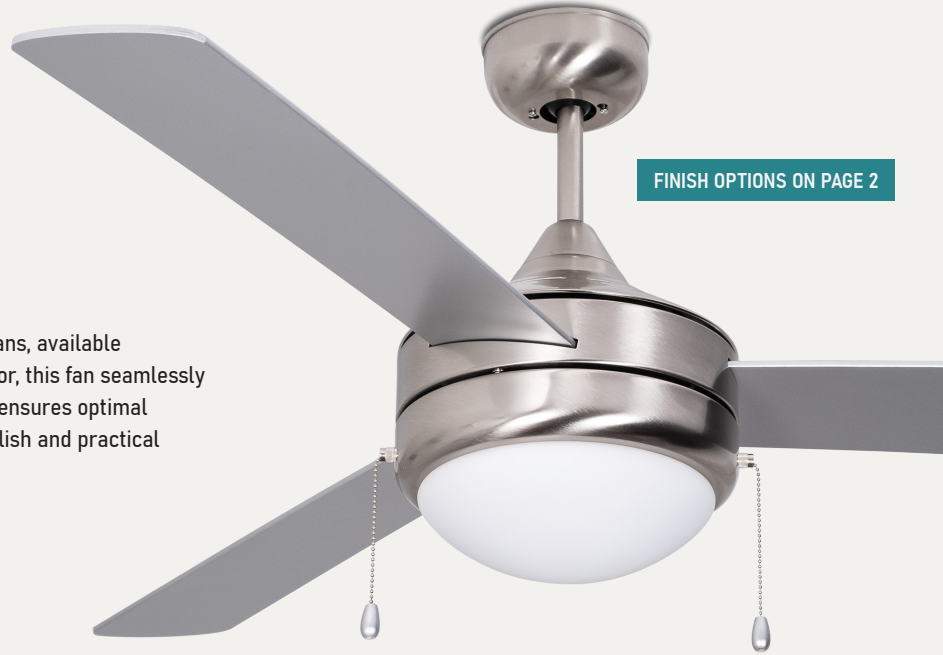


PROJECT	NOTES	TYPE	DATE	CAT. No.
---------	-------	------	------	----------

ESKY

Energy Star SkyLux 52" Dual Mount Ceiling Fan

The ESKY series offers a versatile range of dual mount ceiling fans, available in 3, 4, and 5 blade designs. With its clean lines and LED AC Motor, this fan seamlessly enhances any contemporary home décor. Its reversible feature ensures optimal comfort and efficiency throughout every season, making it a stylish and practical addition to your living space.



FINISH OPTIONS ON PAGE 2



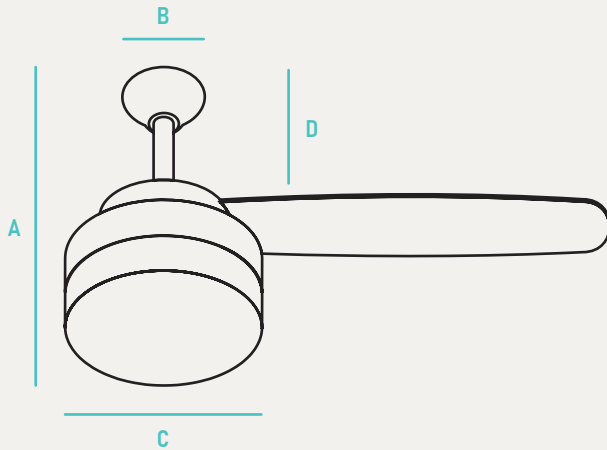
INPUT VOLTAGE	120V
INPUT FREQUENCY	50/60 Hz
RATED WATTAGE	19W (LED Models)
DELIVERED LUMENS	1700Lm (LED Models)
EFFICACY	100 LPW (typ.)
CRI	90
AVAILABLE CCT	3000K
FAN DIAMETER	52"
MOTOR LEAD LENGTHS	80"
MOTOR SIZE	AC 153mm x 18mm
ELECTRICITY USE (H/M/L)	See Fan Info
AMPS (H/M/L)	See Fan Info
BLADE PITCH	3BL: 10.5° / 4BL: 11° / 5BL: 10.5°

RATED LIFE	50,000hrs (Based on 3hrs a Day)
L70	>72,000hrs or >45,000
POWER FACTOR	>0.99
THD	<20%
DIMMING	Triac Dimming
OPERATING TEMP.	-0.4°F - 104°F / -18°C to 40°C
RPM (H/M/L)	See Fan Info
AIRFLOW EFFICIENCY (CFM/W)	3BL: 113 / 4BL: 114 / 5BL: 111
AIRFLOW (CFM) HIGH SPEED	3BL: 4961 / 4BL: 4931 / 5BL: 4900
AVERAGE AIRFLOW CFMave	3BL: 3749 / 4BL: 3686 / 5BL: 3657
BEAM ANGLE	N/A
LENS TYPE	GLASS

ORDER INFO / EXAMPLE: ESKY-52-3-19-120D-930-BN-SB-PC

QUICK SHIP ITEMS ON PG.2

SERIES	SIZE	FAN BLADE	LIGHT SOURCE	DRIVER TYPE	COLOR TEMP	FINISH	BLADE COLOR	ACCESSORY
ESKY	52	3	19	120D	930	BN	SB	PC
ESKY Energy Star SkyLux Dual Mount Ceiling Fan	52- 52" Sweep	3- 3 Blades 4- 4 Blades 5- 5 Blades	19- 19W Integrated LED 1700 Lumens 2MB- 2x9W Medium Base Sockets, 680 Lumens	120D- 120V Triac Dimming	930- 3000K, 90CRI	BN- Brushed Nickel WH- White BL- Black WG- White with Gold Trim	SB- Silver / Black Reversible WH- White BL- Black SL- Silver	PC- Pull Chain Control WC- Wall Control



	A	B	C	D	Case QTY
ESKY	15.57"	5.25"	10"	12-1/5"	1

CONSTRUCTION

Steel Housing, Plywood Blades and Frosted Glass Light Diffuser provides uniform appearance without pixelation.

MOTOR

3-Speed AC Motor with 80" Lead Wire and Dual Mount feature. Includes (1) 6" Downrod.

QUALIFICATIONS

All ceiling fans are built to UL 507 standards, and bear appropriate ETL labels. Dry location labeling is standard.

BLADES

52" Sweep, Plywood Blades

ELECTRICAL

Operates at 120V 60HZ. Optional Remote Control (Sold Separately). Optional Wall Control (Sold Separately).

WARRANTY

Light Source: 3-year limited warranty. Motor: Limited Lifetime Warranty. Non-Electrical 1 Year Limited Warranty. See complete warranty for terms and exclusions. (Labor not included).

QUICK SHIP

ESKY-52-3-19-120D-930-BL-BL-PC ⁵	ESKY-52-3-19-120D-930-WH-WH-PC ⁵
ESKY-52-3-19-120D-930-BN-SB-PC ⁵	ESKY-52-3-2MB-120D-930-BN-SB-PC ⁵
ESKY-52-5-2MB-120D-930-BN-SB-PC ⁵	ESKY-52-4-2MB-120D-930-BN-SB-PC ⁵

FAN INFO

	3BL (L/M/H)	4BL (L/M/H)	5BL (L/M/H)
AMPS	0.2 / 0.3 / 0.4	0.22 / 0.33 / 0.44	0.2 / 0.3 / 0.4
RPM	90-94 / 154-160 / 200-208	85-97 / 150-162 / 200-220	75-82 / 125-135 / 175-180
ELEC. USE	12.4 / 30.6 / 51.5	13 / 30 / 51	12.3 / 30 / 51.6

ADDITIONAL IMAGES / ACCESSORIES



BN-SB



WH-WH



BN-SB



BN-SB



BL-BL



BN-SB



Wall Control
CFWC-3-WH



WG-WH

RECOMMENDED DIMMERS

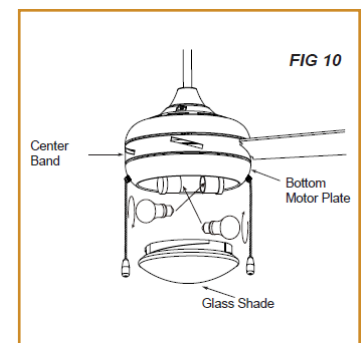
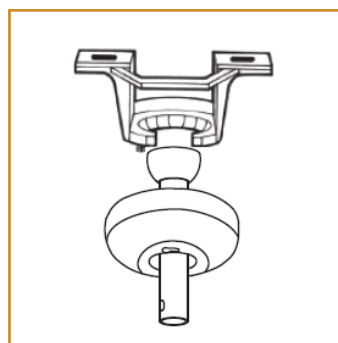
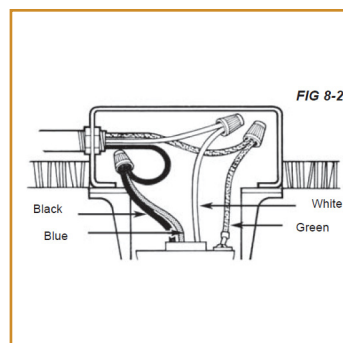
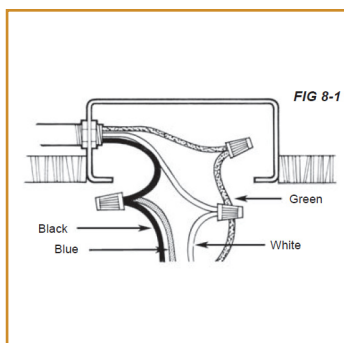
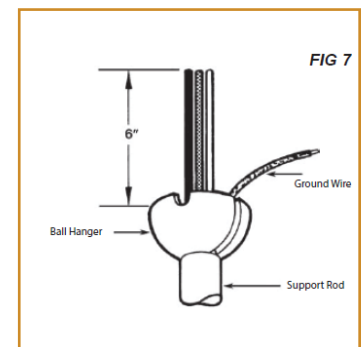
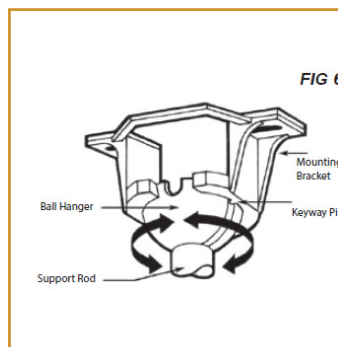
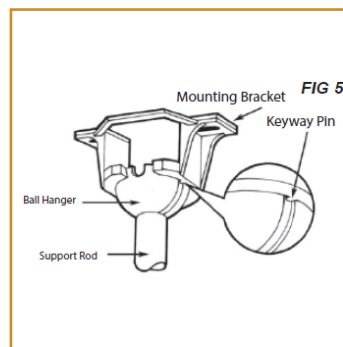
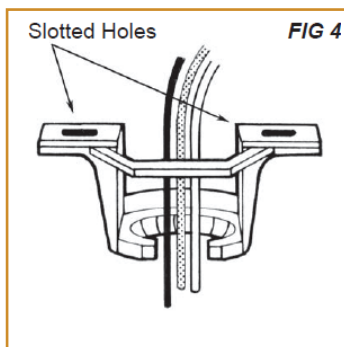
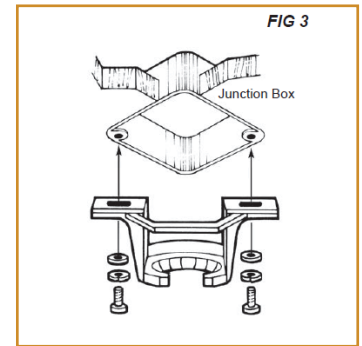
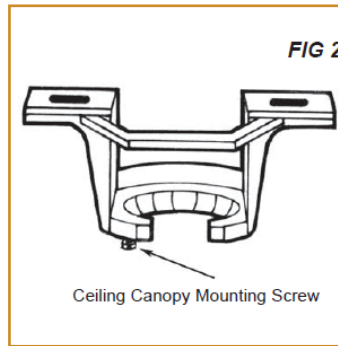
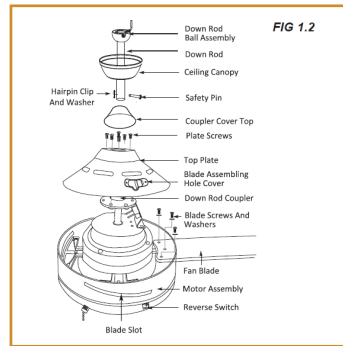
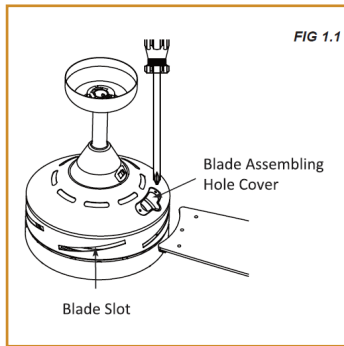
DVCL-153P (Lutron)

COMPATIBLE JUNCTION BOX



4" PVC Ceiling Box

INSTALLATION INSTRUCTIONS



Made to order items. Minimum 90 day lead time. Minimum order quantity may vary please contact sales.

¹ DLC Listed / ² DLC Premium Listed / ³ Title 24 / ⁴ JA8 & Title 24 / ⁵ Energy Star / Typical color consistency. May vary or be changed.

L70 hours calculated based on LED package manufacturer LM80 report and ISTMT report of LED in luminaire. Stated values are for select catalog numbers. Contact Globalux for detailed information. / Actual performance may differ as a result of end-user environment and application. All values are design or typical values, measured under laboratory conditions at 25 °C.