

PROJECT	NOTES	TYPE	DATE	CAT. No.
---------	-------	------	------	----------



LDL3

LED Disk Light, Regressed Lens

The LDL3 series offers high-quality luminaires featuring cutting-edge LED technology, solid-state lighting, and electronic drivers. Designed for optimal performance and energy efficiency, these fixtures come with a traditional opal white lens, ensuring even and uniform light distribution. Ideal for various spaces such as offices, corridors, stairways, bedrooms, closets, and foyers, the LED-based LDL3 series is suitable for both ceiling and wall mounting. It's a versatile choice for residential and commercial applications, especially when replacing incandescent, circline, or compact fluorescent lamps



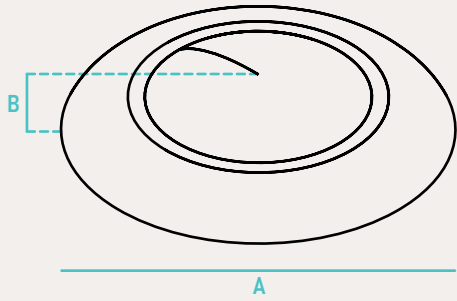
INPUT VOLTAGE	120V
INPUT FREQUENCY	60 Hz
RATED WATTAGE	See Performance Data
DELIVERED LUMENS	See Performance Data
EFFICACY	>77.1 LPW (typ.)
CRI	90CRI
AVAILABLE CCT	3000K, 4000K
LENS TYPE	Plastic

RATED LIFE	30,000hrs (Based on 3hrs a Day)
L70	>50,000hrs
POWER FACTOR	>0.9
THD	N/A
DIMMING	120V Dimming (10-100%)
OPERATING TEMP.	-4°F - 113°F / -20°C to 45°C
BEAM ANGLE	N/A

ORDER INFO / EXAMPLE: LDL3-6-15-120D-930-WH

QUICK SHIP ITEMS ON PG.2

SERIES	DIAMETER	RATED WATTAGE	DRIVER TYPE	COLOR TEMP	FINISH
LDL3	6	15	120D	930	WH
LDL3 LED Disk Light, Regressed Lens	4-4" 6-6"	4" Housing 10- 10W, 750 Lumens 6" Housing 15- 15W, 1000 Lumens	120D - 120V Dimming, 10-100% 277 - 277V	930 - 3000K, 90+CRI 940 - 4000K, 90+CRI 950 - 5000K, Selectable Switch 90+CRI	NS - Nickel Satin WH - White ORB - Oil Rubbed Bronze
OPTIONS / ACCESSORIES					
EM-LDL-6-WH Emergency Backup (Sold Separately) EMBX-LDL-6-WH Blank box to match EM unit (Sold Separately)					



	A	B
LDL3-4	6.3" Dia	1.1" H
LDL3-6	7.4" Dia	1.1" H

PERFORMANCE DATA				
FORM FACTOR	KELVIN	RATED WATTAGE	DELIVERED LUMENS	EFFICACY (LM/W)
4"	3K/4K	10W	550	76.9
6"	3K/4K	15W	1000	76.9

QUICK SHIP	
LDL3-4-10-120D-930-WH	LDL3-6-15-120D-930-WH

ADDITIONAL IMAGES



RECOMMENDED DIMMERS
DVCL-153P (Lutron) Only for 120D Version

Made to order items. Minimum 90 day lead time.
 Minimum order quantity may vary please contact sales.
¹ DLC Listed / ² DLC Premium Listed / ³ Title 24 / ⁴ JA8 & Title 24
 Typical color consistency. May vary or be changed. L70 hours calculated based on LED package manufacturer LM80 report and ISTMT report of LED in luminaire. Stated values are for select catalog numbers. Contact Globalux for detailed information.
 Actual performance may differ as a result of end-user environment and application. All values are design or typical values, measured under laboratory conditions at 25 °C.

CONSTRUCTION

Aluminum spun reflection with diffusion lens for Optimal visual comfort while providing uniform light output. Lens design and materials provide uniform appearance without pixelation.

ELECTRICAL

Equipped standard with 120V, 10-100% dimming driver.

QUALIFICATIONS

All luminaires are built to UL 1598 and 2108 standards, and bear appropriate ETL labels. Wet location labeling is standard. Emergency equipped fixtures labeled UL924. Suitable for closets according to NEC Section 410.8 & 410.16. Adheres to LM70, LM80 and TM21 industry standards. Dedicated 120V Models are FCC Title 47 CFR, Part 15, Class B for residential and commercial applications. California Title 24 Compliant, JA8 compliant. CEC Listed, State of California Energy Commission.

INSTALLATION

6" models are designed for mounting on a 4" electrical J-box. 4" models are designed for mounting on a 3" electrical J-box.

WARRANTY

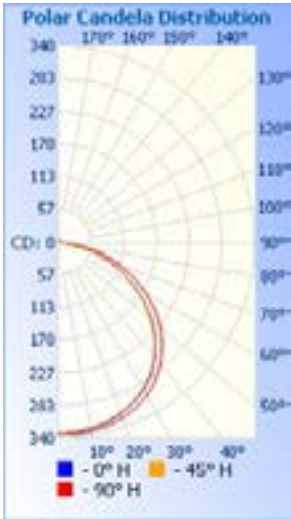
3-year Limited Warranty. See warranty documentation for more info.

COMPATIBLE JUNCTION BOX

4" PVC (6" Only)	4" Octagon (6" Only)	4" PVC Ceiling Box (6" Only)	3-1/2" Octagon (4" Only)	4" Round Pancake (6" Only)	4" Octagon / V Bracket (6" Only)

PHOTOMETRIC DATA

RDL-7



Zone	Lumens	% Lamp	% Luminaire
0-30	266.3	25.7%	25.7%
0-40	444.5	42.8%	42.9%
0-60	806.5	77.7%	77.8%
60-90	227.7	21.9%	22%
70-100	95.7	9.3%	9.3%
90-120	1.1	0.1%	0.1%
0-90	1,034.2	99.6%	99.7%
90-180	2.7	0.3%	0.3%
0-180	1,036.9	99.9%	100%

RCC %:	Effective Floor Cavity Reflectance: 20%																							
	80				70				50				30				10				0			
RW %:	20	50	30	0	20	50	30	0	50	30	20	0	50	30	20	0	50	30	20	0	50	30	20	0
RCR: 0	1.19	1.19	1.19	1.19	1.16	1.16	1.16	1.00	1.11	1.11	1.11	1.11	1.06	1.06	1.06	1.06	1.02	1.02	1.02	1.02	1.00	1.00	1.00	1.00
1	1.06	1.03	.99	.95	1.06	1.01	.97	.84	.97	.94	.91	.81	.93	.90	.88	.88	.89	.87	.85	.83	.83	.81	.79	.77
2	.98	.90	.83	.77	.96	.88	.81	.70	.84	.79	.74	.67	.81	.76	.72	.72	.78	.74	.71	.69	.69	.66	.63	.61
3	.89	.79	.70	.64	.87	.77	.69	.59	.74	.67	.62	.57	.71	.65	.61	.61	.69	.64	.60	.57	.57	.54	.51	.49
4	.82	.69	.60	.54	.79	.68	.60	.51	.66	.58	.52	.48	.63	.57	.52	.52	.61	.55	.51	.49	.49	.46	.43	.42
5	.75	.62	.53	.46	.73	.61	.52	.44	.59	.51	.45	.42	.57	.50	.45	.45	.55	.49	.44	.42	.42	.40	.37	.36
6	.69	.56	.46	.40	.67	.55	.46	.38	.53	.45	.39	.37	.51	.44	.39	.39	.49	.43	.39	.36	.36	.34	.31	.30
7	.64	.50	.41	.35	.62	.49	.41	.34	.48	.40	.35	.34	.46	.40	.34	.34	.45	.39	.34	.32	.32	.30	.27	.26
8	.60	.46	.37	.31	.58	.45	.37	.30	.44	.36	.31	.31	.42	.36	.31	.31	.41	.35	.30	.29	.29	.27	.24	.23
9	.56	.42	.34	.28	.54	.41	.33	.27	.40	.33	.28	.28	.39	.32	.28	.28	.38	.32	.27	.26	.26	.24	.21	.20
10	.52	.39	.31	.25	.51	.38	.30	.25	.37	.30	.25	.25	.36	.30	.25	.25	.35	.29	.25	.23	.23	.21	.18	.17

Made to order items. Minimum 90 day lead time. Minimum order quantity may vary please contact sales.

¹ DLC Listed / ² DLC Premium Listed / ³ Title 24 / ⁴ JA8 & Title 24 / Typical color consistency. May vary or be changed.

L70 hours calculated based on LED package manufacturer LM80 report and ISTMT report of LED in luminaire. Stated values are for select catalog numbers. Contact Globalux for detailed information. / Actual performance may differ as a result of end-user environment and application. All values are design or typical values, measured under laboratory conditions at 25 °C.