

PROJECT	NOTES	TYPE	DATE	CAT. No.
---------	-------	------	------	----------

FINISH OPTIONS ON PAGE 2



# DCF

## LED Decorative Ceiling Finial

The LED Based DCF series provides customers with a high quality luminaire utilizing the latest LED, solid state lighting and electronic driver technology for optimal performance and maximized energy efficiency. With a traditional opal white lens, the DCF series produces even, uniform light distribution and ideal choice for offices, corridors, stairways, bedroom, closet and foyers applications where customers are replacing incandescent, circline or compact fluorescent lamps.



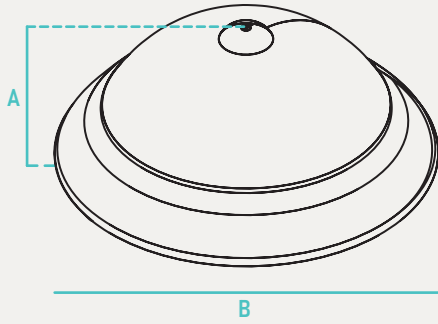
INPUT VOLTAGE	120V
INPUT FREQUENCY	50/60 Hz
RATED WATTAGE	See Performance Data
DELIVERED LUMENS	See Performance Data
EFFICACY	70 LPW (typ.)
CRI	90
AVAILABLE CCT	3000K, 4000K
LENS TYPE	Glass

RATED LIFE	30,000hrs (Based on 3hrs a Day)
L70	>50,000hrs
POWER FACTOR	>0.9
THD	N/A
DIMMING	Triac Dimming
OPERATING TEMP.	-4°F - 113°F / -20°C to 45°C
BEAM ANGLE	N/A

### ORDER INFO / EXAMPLE: DCF-11-13-120D-930-ORB

QUICK SHIP ITEMS ON PG.2

SERIES	DIAMETER	RATED WATTAGE	DRIVER TYPE	COLOR TEMP	FINISH
DCF	11	13	120D	930	ORB
DCF LED Decorative Ceiling Fixture	11-11" Pan 14-14" Pan	11" Pan 13- 13W, 910 Lumens 14" Pan 17- 17W, 1190 Lumens	120D- 120V Dimming, 10-100%	930- 3000K, 90CRI 940- 4000K, 90CRI	NS- Nickel Satin ORB- Oil Rubbed Bronze



PERFORMANCE DATA				
FORM FACTOR	KELVIN	RATED WATTAGE	DELIVERED LUMENS	EFFICACY (LM/W)
11"	3K/4K	13W	910	70
14"	3K/4K	17W	1190	70

### QUICK SHIP (WHILE SUPPLIES LAST)

DCF-11-13-120D-930-NS <sup>3</sup>	DCF-11-13-120D-930-ORB <sup>3</sup>
------------------------------------	-------------------------------------

### ADDITIONAL IMAGES



### RECOMMENDED DIMMERS

DVCL-153P (Lutron)
--------------------

	A	B	Case QTY
DCF-11	4-9/16" H	11" Dia	N/A
DCF-14	5.1" H	13" Dia	3

### CONSTRUCTION

Contemporary decorative fixture with choice of Oil Rubbed Bronze or Nickel Satin finished steel pans and frosted glass diffusers with matching finial.

### ELECTRICAL

Equipped standard with 120V 15-100% dimming driver, operating at 60 Hz. Dims to 10%.

### QUALIFICATIONS

All luminaires are built to UL 1598 and 2108 standards, and bear appropriate ETL labels. Damp location labeling is standard. Emergency equipped fixtures labeled UL924. Adheres to LM70, LM80, and TM21 industry standards. ENERGY STAR® certified product (for 3000K and 4000K only) and Title 24 compliant. Dedicated 120V Models are FCC Title 47 CFR, Part 15, Class B for residential and commercial applications.

### INSTALLATION

Designed for ceiling mounting on 4" electrical J-Box.

### WARRANTY

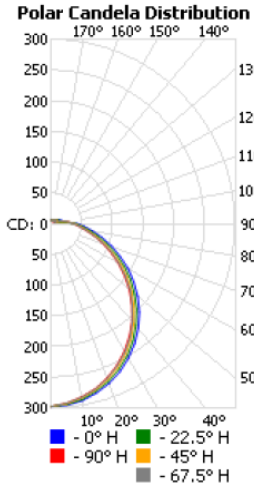
3-year limited warranty. See complete warranty for terms and exclusions. (Labor not included)

### COMPATIBLE JUNCTION BOX



## PHOTOMETRIC DATA

DCF-14



### Zonal Lumen Summary

Zone	Lumens	% Lamp	% Luminaire
0-30	232.6	21.1%	21.1%
0-40	384.6	34.8%	34.8%
0-60	701.5	63.5%	63.5%
60-90	302.4	27.4%	27.4%
70-100	212.5	19.2%	19.2%
90-120	74.3	6.7%	6.7%
0-90	1,003.9	90.9%	90.9%
90-180	100.4	9.1%	9.1%
0-180	1,104.2	99.9%	100%

### Coefficients Of Utilization - Zonal Cavity Method

RCC %:	Effective Floor Cavity Reflectance: 20%																						
	80				70				50				30				10				0		
RW %:	70	50	30	0	70	50	30	0	50	30	20	50	30	20	50	30	20	0	0	0	0		
RCR: 0	1.17	1.17	1.17	1.17	1.13	1.13	1.13	.91	1.06	1.06	1.06	1.00	1.00	1.00	.94	.94	.94	.91	.91	.91	.91		
1	1.04	.99	.93	.89	1.00	.95	.91	.72	.89	.86	.82	.84	.81	.78	.79	.76	.74	.71	.71	.71	.71		
2	.94	.85	.77	.71	.90	.82	.75	.59	.77	.71	.66	.72	.67	.63	.68	.64	.60	.58	.58	.58	.58		
3	.85	.74	.65	.58	.82	.71	.63	.49	.67	.60	.54	.63	.57	.52	.59	.54	.50	.48	.48	.48	.48		
4	.78	.65	.56	.48	.75	.63	.54	.42	.59	.52	.46	.56	.49	.44	.53	.47	.43	.40	.40	.40	.40		
5	.71	.58	.48	.41	.68	.56	.47	.36	.53	.45	.39	.50	.43	.38	.47	.41	.37	.34	.34	.34	.34		
6	.66	.52	.42	.36	.63	.50	.42	.32	.48	.40	.34	.45	.38	.33	.43	.37	.32	.30	.30	.30	.30		
7	.61	.47	.38	.31	.58	.46	.37	.28	.43	.36	.30	.41	.34	.29	.39	.33	.28	.26	.26	.26	.26		
8	.57	.43	.34	.28	.54	.42	.33	.25	.39	.32	.27	.37	.31	.26	.36	.30	.25	.23	.23	.23	.23		
9	.53	.39	.31	.25	.51	.38	.30	.23	.36	.29	.24	.34	.28	.23	.33	.27	.23	.21	.21	.21	.21		
10	.49	.36	.28	.23	.48	.35	.27	.20	.33	.27	.22	.32	.26	.21	.30	.25	.21	.19	.19	.19	.19		

Made to order items. Minimum 90 day lead time. Minimum order quantity may vary please contact sales.

<sup>1</sup> DLC Listed / <sup>2</sup> DLC Premium Listed / <sup>3</sup> Title 24 / <sup>4</sup> JA8 & Title 24 / Typical color consistency. May vary or be changed.

L70 hours calculated based on LED package manufacturer LM80 report and ISTMT report of LED in luminaire. Stated values are for select catalog numbers. Contact Globalux for detailed information. / Actual performance may differ as a result of end-user environment and application. All values are design or typical values, measured under laboratory conditions at 25 °C.