

PROJECT	NOTES	TYPE	DATE	CAT. No.
---------	-------	------	------	----------



LCB

Recessed LED Center Basket

GlobaLux LED LCB's fixture adopts the latest in optical and LED technology for use in many commercial applications. The LCB provides a very pleasant volumetric soft light that fills any interior space giving it a brighter, larger, more productive ambiance. The LCB Series is fully dimmable and are compatible with building controls, motion sensors, and daylight harvesting systems. The design of the LCB series panels produces an even and consistent shadow-less light. The LED's enable long life, high lumen maintenance, high CRI, are low maintenance, and constructed without hazardous materials.



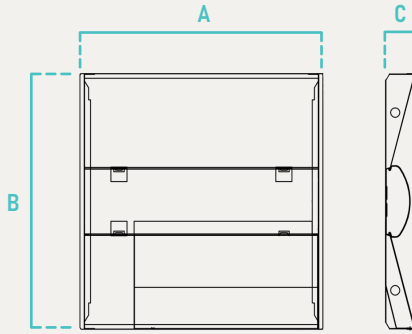
INPUT VOLTAGE	120-277V
INPUT FREQUENCY	50/60 Hz
RATED WATTAGE	See Performance Data
DELIVERED LUMENS	See Performance Data
EFFICACY	>130 LPW (typ.)
CRI	83+, R9 > 0
AVAILABLE CCT	3500K, 4000K, 5000K
LENS TYPE	Frosted Acrylic

RATED LIFE	60,000hrs
L70	>72,000hrs or >45,000
POWER FACTOR	>0.997
THD	<20%
DIMMING	0-10V Continuous (10-100%)
OPERATING TEMP.	-18°C to 40°C
BEAM ANGLE	N/A

ORDER INFO / EXAMPLE: : LCB-22-AW-MVD-MCT

QUICK SHIP ITEMS ON PG.2

SERIES	LENGTH	RATED WATTAGE	DRIVER TYPE	COLOR TEMP
LCB	22	AW	MVD	MCT
LCB Recessed LED center Troffer	22- 2"x2"1 24- 2"x4"1	2x2" Housing AW-25W/30W/35W 4,375 Lumens 2x4" Housing AW- 30W, 40W, 50W Adjustable wattage (6250 Lumens)	MVD- 120-277V; 0-10V Dimming	MCT- 3500K, 4000K, 5000K CCT Selectable; 80+CRI
OPTIONS / ACCESSORIES				
			Emergency Backup EML15- 15W Emergency Battery	Controls MOSB- Integral Bi-Level Microwave Sensor MOS- Microwave Sensor, On/Off



	A	B	C	Case QTY
LCB -22	23.74" L	23.74" W	1.8" H	N/A
LCB -24	47.72" L	23.74" W	1.8" H	N/A

PERFORMANCE DATA

FORM FACTOR	KELVIN	RATED WATTAGE	DELIVERED LUMENS	EFFICACY (LM/W)
22"	35K/4K/5K	30W	3,750	125
24"	35K/4K/5K	40W	5,000	125

QUICK SHIP

While supplies last

ADDITIONAL IMAGES



CONSTRUCTION

Rugged construction, solid die formed, cold-rolled steel housing. All fixture surfaces powder coated after fabrication. Frosted acrylic diffuser provides even consistent light while reducing glare. Lens design and materials provide uniform appearance without pixelation.

ELECTRICAL

Equipped standard with 0-10V continuous dimming driver that works with any standard 0-10V control/dimmer. Long-Life LED's 60,000 hours at L80 with projected life over 100,000 hours for reduced life cycle maintenance costs.

QUALIFICATIONS

All luminaires are built to UL 1598 and 2108 standards, and bear appropriate ETL labels. Wet location labeling is standard. Emergency equipped fixtures labeled UL924. Adheres to LM70, LM80, and TM21 industry standards. DesignLights Consortium® (DLC) Premium qualified product. Not all product variations are DLC Qualified. Please visit list at www.designlights.org/QPL to confirm which models are qualified.

INSTALLATION

Suitable for recessed mounting within T-Bar grid.

WARRANTY

5-year Limited Warranty. See warranty documentation for more info.

RECOMMENDED DIMMERS

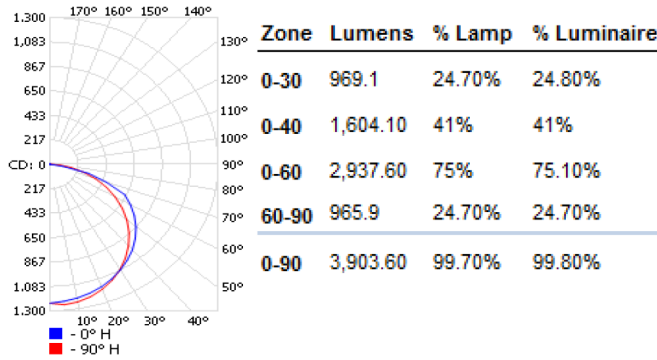
WBSD-010DEC (Cooper)	WBSD-010SLD (Cooper)
DF10P (Cooper)	

Made to order items. Minimum 90 day lead time.
 Minimum order quantity may vary please contact sales.
¹ DLC Listed / ² DLC Premium Listed / ³ Title 24 / ⁴ JA8 & Title 24
 Typical color consistency. May vary or be changed. L70 hours calculated based on LED package manufacturer LM80 report and ISTMT report of LED in luminaire. Stated values are for select catalog numbers. Contact GlobaLux for detailed information.
 Actual performance may differ as a result of end-user environment and application. All values are design or typical values, measured under laboratory conditions at 25 °C.

PHOTOMETRIC DATA

LCB-24-52-MVD-835

Polar Candela Distribution



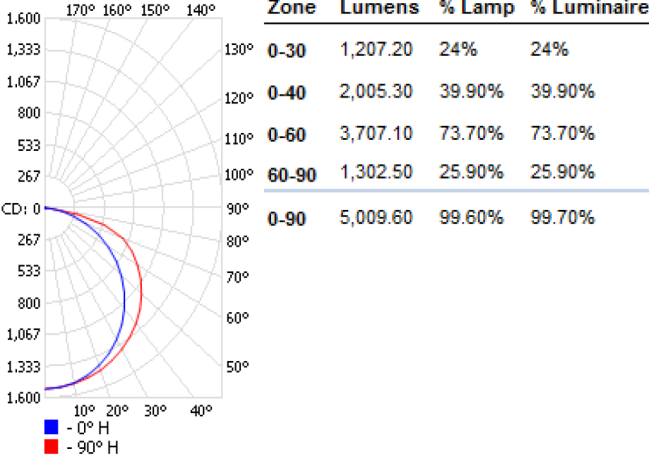
Coefficients Of Utilization - Zonal Cavity Method

Effective Floor Cavity Reflectance: 20%

RCC %:	80				70				50	
	70	50	30	0	70	50	30	0	50	30
RW %:	1.19	1.19	1.19	1.19	1.16	1.16	1.16	1	1.11	1.11
RCR: 0	1.19	1.19	1.19	1.19	1.16	1.16	1.16	1	1.11	1.11
1	1.08	1.03	0.98	0.94	1.05	1.01	0.96	0.83	0.96	0.93
2	0.98	0.89	0.82	0.76	0.95	0.87	0.8	0.69	0.83	0.78
3	0.89	0.77	0.69	0.62	0.86	0.76	0.68	0.58	0.73	0.66
4	0.81	0.68	0.59	0.52	0.78	0.67	0.58	0.49	0.64	0.57
5	0.74	0.61	0.51	0.45	0.72	0.6	0.51	0.42	0.57	0.5
6	0.68	0.55	0.45	0.39	0.66	0.54	0.45	0.37	0.52	0.44
7	0.63	0.49	0.4	0.34	0.61	0.48	0.4	0.33	0.47	0.39
8	0.59	0.45	0.36	0.3	0.57	0.44	0.36	0.29	0.43	0.35
9	0.55	0.41	0.33	0.27	0.53	0.41	0.32	0.26	0.39	0.32
10	0.51	0.38	0.3	0.24	0.5	0.37	0.3	0.24	0.36	0.29

LCB-24-52-MVD-835

Polar Candela Distribution



Coefficients Of Utilization - Zonal Cavity Method

Effective Floor Cavity Reflectance: 20%

RCC %:	80				70				50	
	70	50	30	0	70	50	30	0	50	30
RW %:	1.19	1.19	1.19	1.19	1.16	1.16	1.16	1	1.11	1.11
RCR: 0	1.19	1.19	1.19	1.19	1.16	1.16	1.16	1	1.11	1.11
1	1.08	1.02	0.98	0.94	1.05	1	0.96	0.82	0.96	0.92
2	0.97	0.88	0.81	0.75	0.94	0.86	0.8	0.68	0.83	0.77
3	0.88	0.77	0.68	0.61	0.85	0.75	0.67	0.57	0.72	0.65
4	0.8	0.68	0.58	0.51	0.78	0.66	0.58	0.48	0.64	0.56
5	0.74	0.6	0.51	0.44	0.71	0.59	0.5	0.42	0.57	0.49
6	0.68	0.54	0.45	0.38	0.66	0.53	0.44	0.36	0.51	0.43
7	0.63	0.49	0.4	0.33	0.61	0.48	0.39	0.32	0.46	0.38
8	0.58	0.44	0.36	0.3	0.57	0.44	0.35	0.29	0.42	0.35
9	0.54	0.41	0.32	0.26	0.53	0.4	0.32	0.26	0.39	0.31
10	0.51	0.37	0.29	0.24	0.5	0.37	0.29	0.23	0.36	0.29

Made to order items. Minimum 90 day lead time. Minimum order quantity may vary please contact sales.

¹ DLC Listed / ² DLC Premium Listed / ³ Title 24 / ⁴ JA8 & Title 24 / Typical color consistency. May vary or be changed.

L70 hours calculated based on LED package manufacturer LM80 report and ISTMT report of LED in luminaire. Stated values are for select catalog numbers. Contact Globalux for detailed information. / Actual performance may differ as a result of end-user environment and application. All values are design or typical values, measured under laboratory conditions at 25 °C.