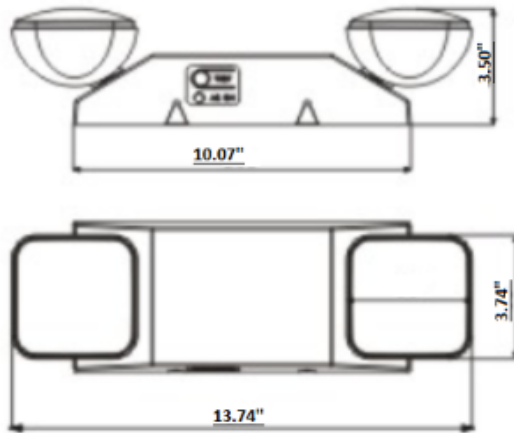


Ordering Information

Dimensions



THE Series

Black Finish
White Finish

Limited Warranty 5-years

Quick Ship

THE-W-EM
THE-B-EM

Specification Features

Construction

Injection molded, engineering grade 5VA flame retardant, high impact resistant thermoplastic in white or black finish.

Qualifications

Meets UL924, NFPA 11 life safety Code, NEC, OSHA Local and State Codes. UL listed for damp locations (0° C - 50° C).

Warranty

5-year Limited Warranty on all electronics and housing. Battery pro rated for 5 years.

Electrical

Dual 120/277 voltage. Charge rate/power "ON" LED indicator light and push-to-test switch for mandated code compliance testing. 3.6 long-life, maintenance free, rechargeable NiCad Battery. Internal solid-state transfer switch automatically connects the internal battery to the LED lamp head for minimum 90-minute emergency illumination. Fully automatic solid-state, two-rate charger initiates battery charging to recharging a discharged battery in 24 hours.

Installation

Universal knockout pattern on back plate for surface mount. Snaps into place making internal electrical connections. Suitable for wall or ceiling mount. Knockout for conduit applications.

Ordering Information

Example: THE-W

THE	W	EM				
Series THE Twin Head Emergency Light	Housing BL - Black WH - White	Options EM - Ni-Cad Battery				

Specifications and Dimensions subject to change without notice.