



Project	
Notes	
Type	Date
Cat. No.	

**BLR2™ Series**

**Round LED Bollard**

**DESCRIPTION**

The BLR2 Series provides a corrosion free housing, suitable for outdoor low mounting applications such as walkways, parks, and stair entrances. Includes the option to change kelvin temperatures as well as wattage to ensure the best lighting ambiance.



**Specification Features**



**Construction**

Rugged die cast aluminum housing withstands outdoor environments. Outer surface treated with durable bronze power coating to provide resistant to corrosion, rust, weathering, and or degradation. Performance engineered internal heat dissipation fins provide superior thermal management for lens life and reliability.

**Qualifications**

All luminaires are built to UL 1598 and 2108 standards, and bear appropriate ETL labels. Wet location labeling is standard. Adheres to LM70, LM80, and TM21 industry standards. IP65 rated.

**Electrical**

Equipped standard with fixed output, 120-277V driver operating at 60Hz. Long Life LED's, at L80 with projected life over 60,000 hours for reduced life cycle maintenance costs. Adjustable CCT at 3000K, 4000K, 5000K. Includes 3-level switch to simply adjust lumen output. 10,000V surge protection is standard.

**Installation**

Base mounts onto foundation with three (3) 1/2" x 12 1/2" anchor bolts. Bollard housing is secured to the base with flathead, countersunk screws for smooth, uncluttered appearance.

**Warranty**

5-year Limited Warranty. See warranty documentation for more information.

BLR2 Series
24/19/14W - (2,880 Lumens) (2,280 Lumens) (1,680 Lumens)

Rated Life 50,000 hours  
Limited Warranty 3 years  
Efficacy Up to 120 LPW

**Quick Ship**

- BLR2-AW-MV-MCT-BR
- BLR2-FC-BR
- BLR2-FL-BR
- BLR2-DC-BR
- BLR2-DL-BR

**Ordering Information**

Example: BLR2-AW-MV-MCT-BR  
BLR2-FC-BR

BLR2	AW	MV	MCT	BR
<b>Series</b> BLR2 Round LED Bollard (Base)	<b>Rated Wattage</b> AW- 24W/19W/14W Adjustable (2,880 Lumens) (2,280 Lumens) (1,680 Lumens)	<b>Driver Type</b> MV- 120-277V	<b>Color Temp</b> MCT- 3000/4000/5000K CCT Selectable 80+ CRI	<b>Base Finish</b> BL- Black BR- Bronze
			<b>Bollard Head</b> BLR2-FC- Flat Cone BLR2-FL- Flat Louver BLR2-DC- Dome Cone BLR2-DL- Dome Louver BLR2-Y- Y Shape Head (Head Sold Separately)	<b>Head Finish</b> BL- Black BR- Bronze

Specifications and Dimensions subject to change without notice.

Performance Summary

Input Voltage	120V-277
Input Frequency	50/60 Hz
Rated Wattage	See Performance Table
Delivered Lumens	See Performance Table
Efficacy	> 120 LPW (typ.)
CRI	80+, R8 > 0
Available CCT <sup>1</sup>	5000/4000/3000K
Color Consistency <sup>2</sup>	5-step MacAdam Ellipse
Rated Life	50,000 hours
L70 <sup>3</sup>	> 72,000 hours or > 45,000 >
Power Factor	0.99
THD	< 20%
Dimming	N/A
Operating Temp.	-40°C to 50°C

Bollard Heads

BLR2-FC- Flat Cone



BLR2-FL- Flat Louver



BLR2-DC- Dome Cone



BLR2-DL- Dome Louver



BLR2-Y- Y Shape



Performance Data

Lens Type	Form Factor	Catalog No.	Rated Wattage (W)	Delivered Lumens	Efficacy (lm/W)
Glass		BLR2-AW-MV-MCT	24W	2,880	120
			19W	2,280	120
			14W	1,680	120

NOTES:

- <sup>1</sup> Made to order items. Minimum 90 day lead time. Minimum 500 order quantity.
- <sup>2</sup> Energy star listed
- <sup>4</sup> Typical color consistency. May vary or be changed.
- <sup>5</sup> L70 hours calculated based on LED package manufacturer LM80 report and ISTMT report of LED in luminaire. Stated values are for select catalog numbers. Contact manufacturer for detailed information
- <sup>6</sup> Actual performance may differ as a result of end-user environment and application. All values are design or typical values, measured under laboratory conditions at 25 °C.

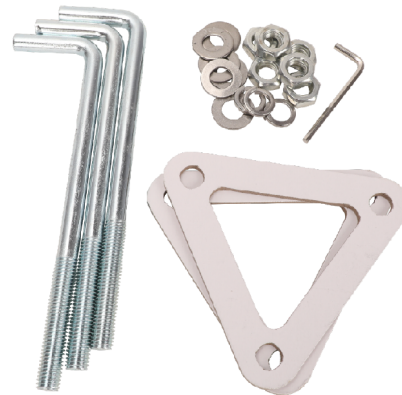
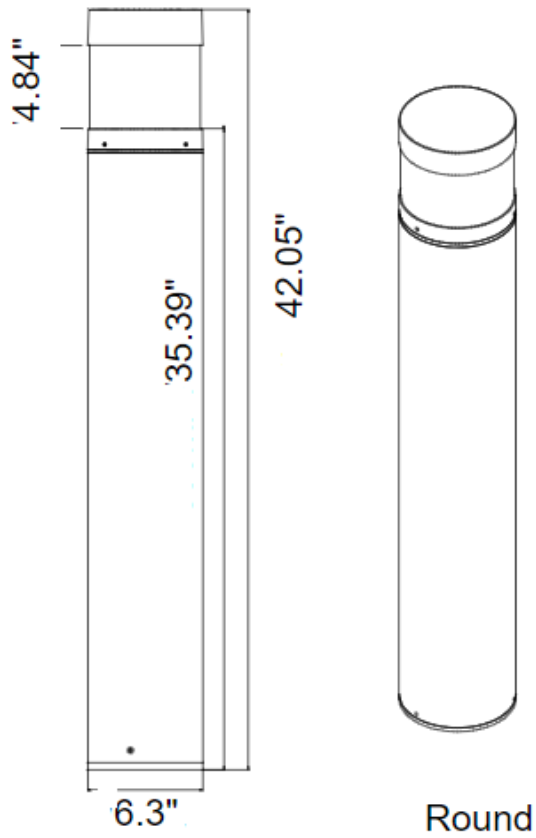


Specifications and Dimensions subject to change without notice.

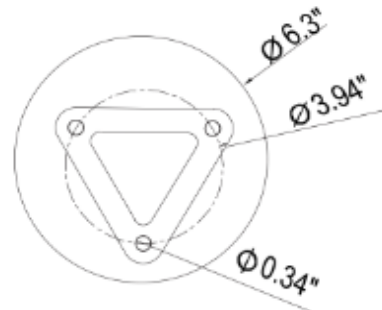
Product Dimensions

Product Mounting Hardware

BLR2



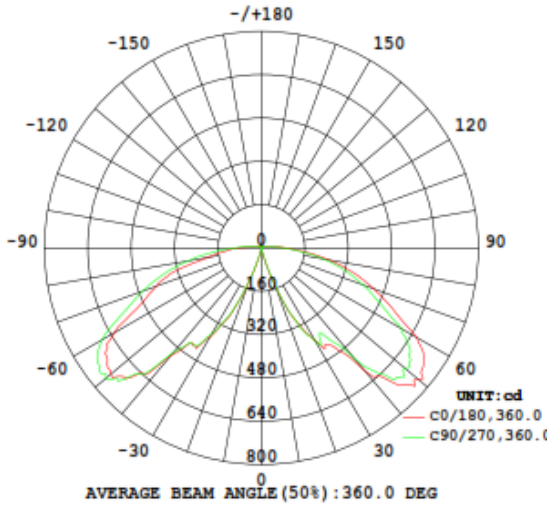
Product Base Drawing Dimensions



Specifications and Dimensions subject to change without notice.

Product Photometric

Polar Candela Curve



Zonal Flux Diagram

□□	C0	C45	C90	C135	C180	C225	C270	C315	□□	□ zone	□ total	%lum.lamp
10	4.003	4.233	3.695	4.333	3.826	3.566	3.426	3.806	0- 10	0.213	0.213	0.01,0.01
20	159.9	67.67	149.8	52.83	125.6	24.15	116	50.21	10- 20	10.04	10.25	0.37,0.37
30	392.8	400.3	394.8	375.3	381.3	337.2	369.9	362.5	20- 30	111	121.3	4.37,4.37
40	592.5	563.4	537.4	588.2	517.9	572.6	498.6	570.7	30- 40	277.9	399.2	14.4,14.4
50	754.3	713.1	689.9	719.2	724.9	690.7	748.5	716.5	40- 50	492.6	891.8	32.2,32.2
60	661.1	658.7	596.4	698.6	625.9	664.8	679.5	699.2	50- 60	633.3	1525	55,55
70	442.7	451.8	397.2	483.2	412.7	444.6	465.8	498.5	60- 70	541.8	2087	74.5,74.5
80	248.7	265.3	227.6	285.6	198.5	280	272.9	299.4	70- 80	376.7	2443	88.1,88.1
90	93.33	102.4	84.31	99.18	88.99	98.87	100.2	110.8	80- 90	187.3	2831	94.8,94.8
100	32.55	40.31	30.55	41.51	30.34	39.77	33.27	42.7	90-100	88.75	2897	97.2,97.2
110	19.98	23.47	18.61	23.79	19.1	24.79	20.87	26.97	100-110	32.77	2730	98.4,98.4
120	11.73	12.81	11.13	13.3	11.65	12.79	11.87	13.72	110-120	16.48	2747	99,99
130	10.23	11.72	9.771	11.85	10.17	11.79	10.37	12.57	120-130	10.44	2757	99.4,99.4
140	8.544	9.12	7.893	8.75	8.802	9.506	8.893	10.18	130-140	7.833	2785	99.7,99.7
150	6.84	6.241	6.633	5.878	6.274	6.643	7.045	6.664	140-150	4.96	2770	99.9,99.9
160	4.309	4.968	3.938	4.064	4.291	4.722	4.276	5.208	150-160	2.594	2772	100,100
170	2.415	2.653	2.401	2.592	2.484	2.602	2.602	3.205	160-170	1.075	2774	100,100
180	0.5181	0.5148	0.5033	0.5426	0.5477	0.5603	0.5477	0.4961	170-180	0.1794	2774	100,100
DEG	LUMINOUS INTENSITY:cd									UNIT:lm		

Coefficients of Utilization

