

|         |       |      |      |          |
|---------|-------|------|------|----------|
| PROJECT | NOTES | TYPE | DATE | CAT. No. |
|---------|-------|------|------|----------|

# LIN

## Lin 52" Ceiling Fan

The LIN series is a family of ceiling fans featuring a simple 5 blade design. The clean lines and traditional design of this AC Motor fan makes an elegant addition to your home décor. The reversible feature makes this fan perfect to use during every season.

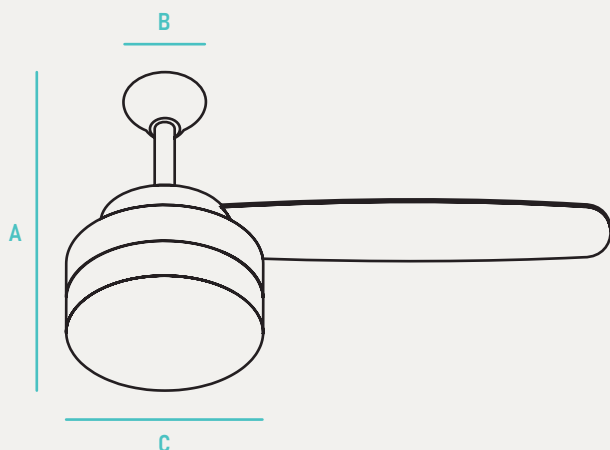


|                                |                     |                                   |                                 |
|--------------------------------|---------------------|-----------------------------------|---------------------------------|
| <b>INPUT VOLTAGE</b>           | 120V                | <b>COLOR CONSISTENCY</b>          | 5-Step MacAdams Ellipse         |
| <b>INPUT FREQUENCY</b>         | 50/60 Hz            | <b>RATED LIFE</b>                 | 15,000hrs (Based on 3hrs a Day) |
| <b>RATED WATTAGE</b>           | 2-9W LED Bulbs      | <b>L70</b>                        | N/A                             |
| <b>DELIVERED LUMENS</b>        | 650Lm               | <b>POWER FACTOR</b>               | N/A                             |
| <b>EFFICACY</b>                | 68 LPW (typ.)       | <b>THD</b>                        | N/A                             |
| <b>CRI</b>                     | 80                  | <b>DIMMING</b>                    | Yes                             |
| <b>AVAILABLE CCT</b>           | 3000K               | <b>OPERATING TEMP.</b>            | -0.4°F - 104°F / -18°C to 40°C  |
| <b>FAN DIAMETER</b>            | 52"                 | <b>RPM (H/M/L)</b>                | 175 / 120 / 70                  |
| <b>MOTOR LEAD LENGTHS</b>      | 80"                 | <b>AIRFLOW EFFICIENCY (CFM/W)</b> | 90                              |
| <b>MOTOR SIZE</b>              | AC 153mm x 16mm     | <b>AIRFLOW (CFM)</b>              | High Speed: 4800                |
| <b>ELECTRICITY USE (H/M/L)</b> | 59W / 28.2W / 10.9W | <b>AVERAGE AIRFLOW CFMave</b>     | 3228                            |
| <b>AMPS (H/M/L)</b>            | 0.5 / 0.35 / 0.22   | <b>BEAM ANGLE</b>                 | N/A                             |
| <b>LENS TYPE</b>               | Glass               |                                   |                                 |

### ORDER INFO / EXAMPLE: LIN-52-5-2MB-120D-830-BZ-BZ-PC

QUICK SHIP ITEMS ON PG.2

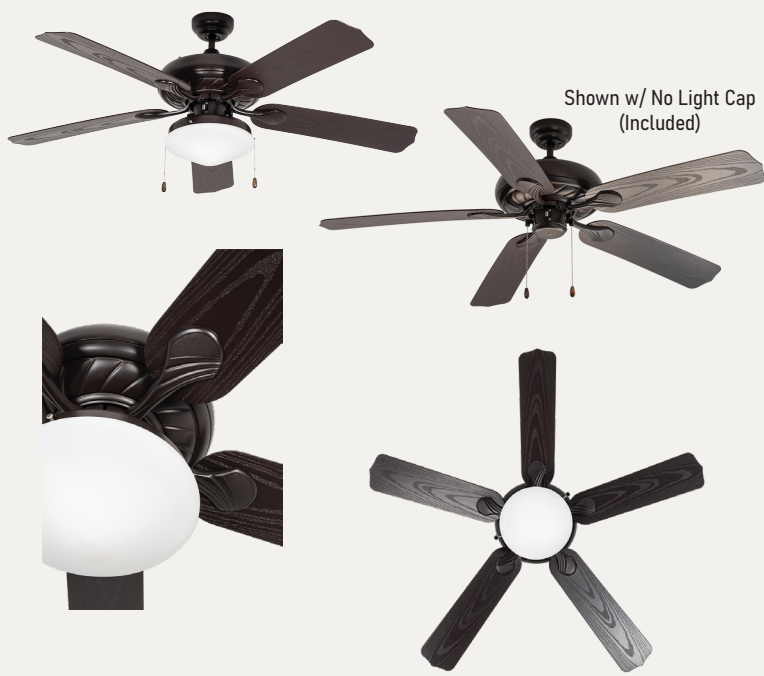
| SERIES              | SIZE          | FAN BLADE   | LIGHT SOURCE  | DRIVER TYPE         | COLOR TEMP        | FINISH                  | BLADE COLOR             | ACCESSORY      |
|---------------------|---------------|-------------|---|---------------------|-------------------|-------------------------|-------------------------|----------------|
| <b>LIN</b>          | <b>52</b>     | <b>5</b>    | <b>2MB</b>  | <b>120D</b>         | <b>830</b>        | <b>BZ</b>               | <b>BZ</b>               | <b>PC</b>      |
| LIN 52" Ceiling Fan | 52- 52" Sweep | 5- 5 Blades | 2MB- 2 Medium Base Socket (2) 9.5W LED Bulbs 650 Lumens | 120D- 120V Dimmable | 830- 3000K, 80CRI | BZ- Bronze<br>BL- Black | BZ- Bronze<br>BL- Black | PC- Pull Chain |



## QUICK SHIP

|                                |
|--------------------------------|
| LIN-52-5-2MB-120D-830-BL-BL-PC |
| LIN-52-5-2MB-120D-830-BZ-BZ-PC |

## ADDITIONAL IMAGES



## RECOMMENDED DIMMERS

|                    |
|--------------------|
| DVCL-153P (Lutron) |
|--------------------|

|     | A   | B       | C       | Case QTY |
|-----|-----|---------|---------|----------|
| LIN | 19" | 5-3/20" | 12-3/4" | 1        |

### CONSTRUCTION

Steel Housing with ABS Blades and Satin Opal Glass Diffuser

### MOTOR

153mm x 16mm. Includes (1) 4-1/2" Downrod.

### QUALIFICATIONS

All ceiling fans are built to UL 507 standards, and bear appropriate ETL labels. Dry location labeling is standard.

### BLADES

52" Sweep, 5 Blade Configuration Blade, Pitch Angle:12°  
Color: ABS Weathered Bronze Blades

### ELECTRICAL

Operates at 120V 60HZ.

### WARRANTY

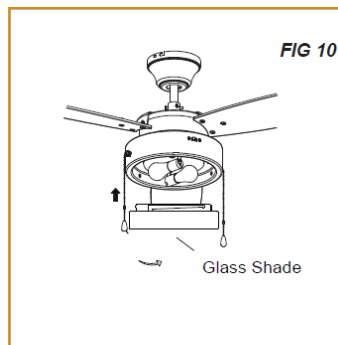
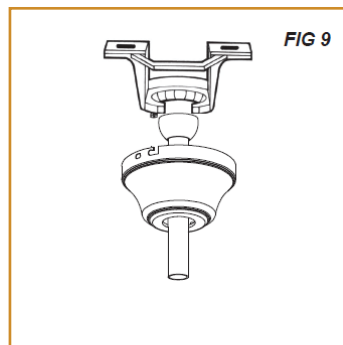
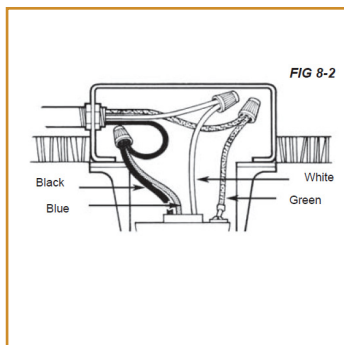
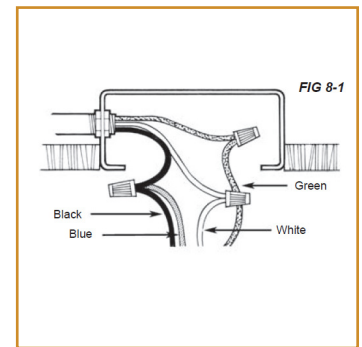
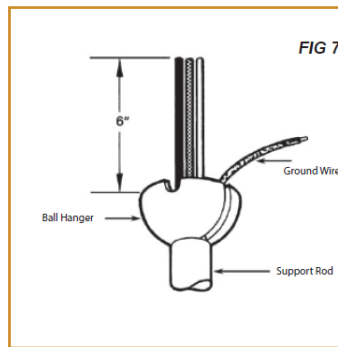
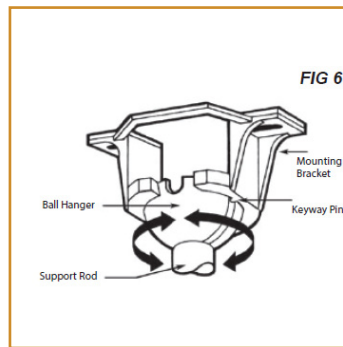
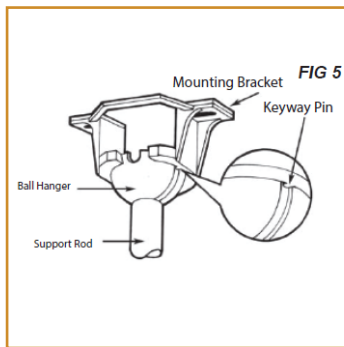
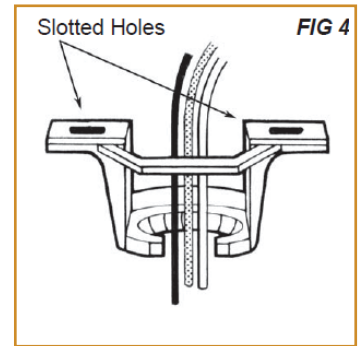
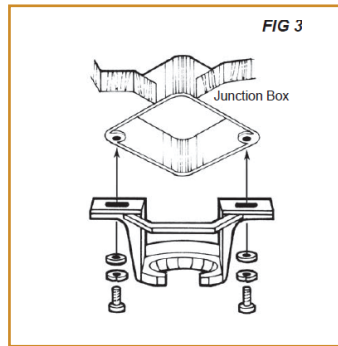
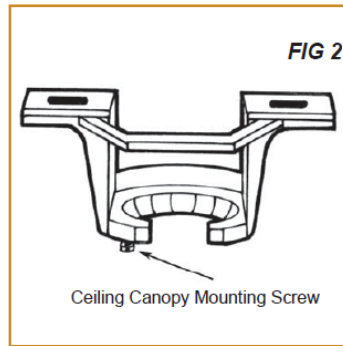
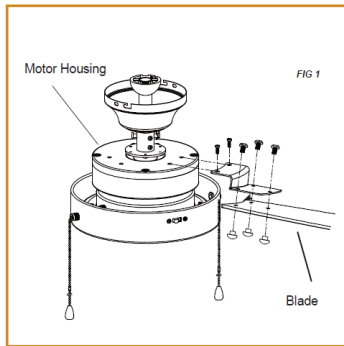
Motor: Limited Lifetime Warranty. Non-Electrical 1 Year Limited Warranty. See complete warranty for terms and exclusions. (Labor not included).

## COMPATIBLE JUNCTION BOXES



4" PVC Ceiling Box

## INSTALLATION INSTRUCTIONS



Made to order items. Minimum 90 day lead time. Minimum order quantity may vary please contact sales.

<sup>1</sup> DLC Listed / <sup>2</sup> DLC Premium Listed / <sup>3</sup> Title 24 / <sup>4</sup> JA8 & Title 24 / Typical color consistency. May vary or be changed.

L70 hours calculated based on LED package manufacturer LM80 report and ISTMT report of LED in luminaire. Stated values are for select catalog numbers. Contact Globalux for detailed information. / Actual performance may differ as a result of end-user environment and application. All values are design or typical values, measured under laboratory conditions at 25 °C.