

| | | | | |
|---------|-------|------|------|----------|
| PROJECT | NOTES | TYPE | DATE | CAT. No. |
|---------|-------|------|------|----------|

FLO

52" Ceiling Fan

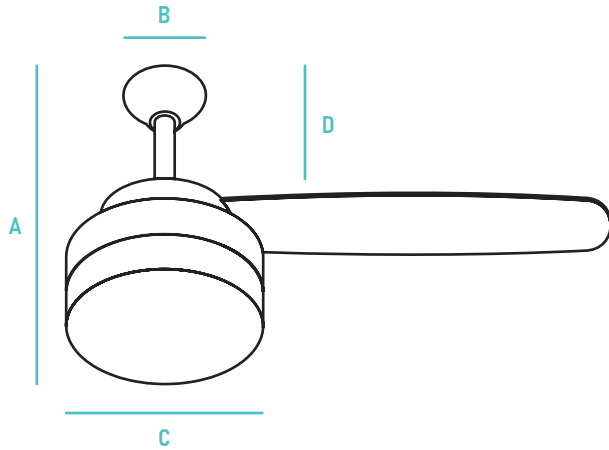
Effortless motion, quietly styled. The FLO pairs a sculpted steel housing with smooth sweeping blades and a seamless LED diffuser for soft, even 3000K light. A powerful 3-speed motor moves nearly 5,000 CFM, with dimmable light and a choice of wall control or pull chain.



| | | | |
|--------------------------------|-----------------|--|--------------------------------|
| INPUT VOLTAGE | 120V | RATED LIFE | - |
| INPUT FREQUENCY | 60 Hz | L70 | - |
| RATED WATTAGE | 18W LED | POWER FACTOR | - |
| DELIVERED LUMENS | 1500 Lumens | THD | - |
| EFFICACY | >80 LPW (typ.) | DIMMING | Yes |
| CRI | 90 CRI | OPERATING TEMP. | -0.4°F - 104°F / -18°C to 40°C |
| AVAILABLE CCT | N/A | RPM (H/M/L) | 205/141/83 |
| FAN DIAMETER | 52" | AIRFLOW EFFICIENCY (CFM/W) | 96 |
| MOTOR LEAD LENGTHS | 80" | AIRFLOW (CFM) | 4955 |
| MOTOR SIZE | AC 153mm x 16mm | AVERAGE AIRFLOW CFM_{ave} | 3717 |
| ELECTRICITY USE (H/M/L) | 59.8/28.8/11 | BEAM ANGLE | - |
| AMPS (H/M/L) | 0.49/0.35/0.21 | LENS TYPE | Acrylic |

ORDER INFO / EXAMPLE: FLO-52-5-18D-930-BN-SB-WC

| SERIES | SIZE | FAN BLADE | LIGHT SOURCE | COLOR TEMP | FINISH | BLADE COLOR | ACCESSORY |
|------------------------|------------------|---|--|--|--|---|------------------------------------|
| FLO | 52 | 5 | 18D | 930 | BN | SB | WC |
| FLO 52" Ceiling Fan | 52- 52" Sweep | 3- 3 Blades 4- 4 Blades 5- 5 Blades | 18D- 18W Integrated LED 1500 Lumens, 120V Triac Dimming Blank- No Light Kit | 930- 3000K, 90+CRI Blank-No Light Kit | BN- Brushed Nickel BL- Black WH- White | SB- Silver / Black Rev. BL- Black DG- Distressed Graywood TW- Teak Wood WH- White | WC- Wall Control PC- Pull Chain |



| | A | B | C | D | Case QTY |
|------|-----|-------|------|-------|----------|
| EVNT | 16" | 5.75" | 7.5" | 12.6" | 1 |

CONSTRUCTION

Steel Housing, Plywood Blades and White PC Light Diffuser provides uniform appearance without pixelation.

MOTOR

3-Speed AC Motor with 80" Lead Wire. Includes (1) 6" Downrod.

QUALIFICATIONS

All ceiling fans are built to UL 507 standards, and bear appropriate ETL labels. Dry location labeling is standard.

BLADES

52" Sweep, 4 Blade Configuration, Blade Pitch Angle: 12°
Color: Silver / Black Reversible

ELECTRICAL

Operates at 120V 60HZ.

WARRANTY

Light Source: 3-year limited warranty. Motor: Limited Lifetime Warranty. Non-Electrical 1 Year Limited Warranty. See complete warranty for terms and exclusions. (Labor not included).

ADDITIONAL IMAGES



CFWC-3-WH

COMPATIBLE JUNCTION BOXES



4" PVC Ceiling Box