



CCT Adjustable LED Channel Strip
LCS Series

High Performance Design Can Customize To Your Environment

Knockouts

Multiple knockouts enable flexible installation and mounting.

Lens

Stylish frosted, Impact resistant frosted Polycarbonate lens provides ample brightness and even illumination.

Housing

Die-formed heavy gauge steel a with high gloss, baked white enamel finish over rust inhibiting phosphate coat.



Optional Sensor Capabilities

On/Off, Bi-Level Dimming, wireless configurations for networked controls. Servicing 10'-45' mounting heights with aisle or 360 detection.

High Efficacy LEDs

Performance ranges up to 106 LPW. Long-life 60,000 hour LED's at L80 with projected life over 100,000 hour at L70 hours for reliable performance and minimal maintenance.

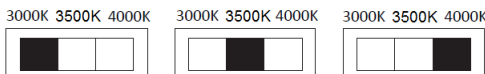
Battery Backup

Battery backup available for emergency egress applications.

CCT Switch

CCT Switch Technology can accommodate multi color temperatures from warmest to coolest tones of white. CCT can be adjusted to either 3000K, 4000K or 5000K.

COLOR TEMPERATURE ADJUSTMENT SETTING

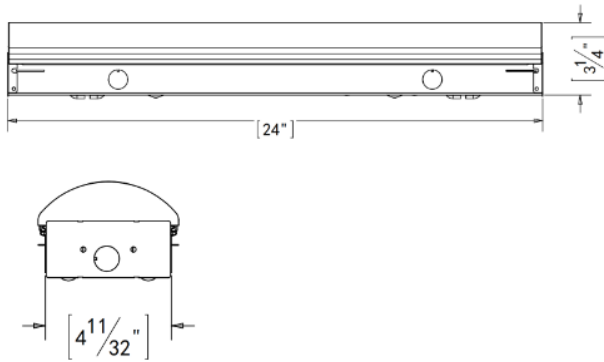


LCS Wattage Comparison

	GlobalLux LIGHTING	Conventional Fluorescent
Warehouse facilities, office areas, gymnasiums, grocery stores, parking garages	104W 11,000 Lumens	4 Lamps T8 128W
Warehouse facilities, office areas, gymnasiums, grocery stores, parking garages	68W 7,200 Lumens	3Lamps T8 or 2 Lamps T5 96W-104W
Warehouse facilities, office areas, gymnasiums, grocery stores, parking garages	52W 5,000 Lumens	2-3 Lamps T8 64W-96W
office areas, gymnasiums, grocery stores, parking garages	40W 3,520 Lumens	2 Lamps T8 or 1 Lamp T5 50W-64W
	17W 1,760 Lumens	2 Lamps T8 34W

Ordering Information

Dimensions



Specification Features



Construction

Housing, wireway cover and ends are die-formed heavy gauge steel with high gloss, baked white enamel finish over rust inhibiting phosphate coat. Housing and wireway cover act as a heat sink, maximizing the life of the LEDs and power supplies. Knockouts provided on back, ends, and sides. Diffuser Lens reduces glare and improves occupant comfort while maintaining high efficiency emission.

Qualifications

All luminaires are built to UL 1598 and 2108 standards, and bear appropriate ETL labels. Damp location labeling is standard. Emergency equipped fixtures labeled UL924. Adheres to LM70, LM80, and TM21 industry standards. DesignLights Consortium® (DLC) qualified product. Not all product variations listed are DLC qualified. Please visit the DLC Qualified Products List at www.designlights.org/QPL to confirm which models are qualified.

Electrical

Equipped standard with fixed output driver. Optional 0-10V continuous dimming driver that works with any standard 0-10V control/dimmer. Long-Life LED's 60,000 hours at L80 with projected life over 100,000 hours for reduced life cycle maintenance costs. Standard CCT switch to adjust from 3000K, 4000K, and 5000K.

Installation

Suitable for surface mounting, suspension, or stem mounting, individually or in continuous rows.

Warranty

5-year Limited Warranty. See warranty documentation for more information.

Options

Optional On/Off or Bi-Level Motion Sensor, high voltage transformers, emergency battery backups, whips and cords.

LCS Series

- 24" Housing**
17W (1,760 Lumens)
- 48" Housing**
40W (3,520 Lumens)
52W (5,000 Lumens)
- 96" Housing**
68W (7,200 Lumens)
104W (11000 Lumens)

- Rated Life 60,000 hours
- Limited Warranty 5-years
- Efficacy Up to 106 LPW
- Continuous Dimming



Quick Ship/ DLC Listed

- LCS-2-17-MVD-830/40/50
- LCS-4-40-MVD-830/40/50
- LCS-4-52-MVD-830/40/50
- LCS-8-68-MVD-830/40/50
- LCS-8-104-MVD-830/40/50

Ordering Information

Example Model Number: LCS-4-52-MVD-830/40/50

LCS	4	52	MVD	8	50
Series LCS LED Channel Strip	Length 2- 24" Length ² 4- 48" Length ² 8- 96" Length ²	Rated Wattage 24" Housing 17-17W (1,760 Lumens) ² 48" Housing 40- 40W (3,520 Lumens) ² 52- 52W (5,000 Lumens) ² 96" Housing 68- 68W (7,200 Lumens) ² 104- 104W (11000 Lumens) ²	Driver Type MV- 120-277V ² MVD-120-277V; 0-10V Dimming ² HVD-347-480V,0-10V Dimming ¹ HV-347-480V ¹	CRI 8 80+ CRI ²	Color Temp 30/40/50- 3000/4000/5000 Kelvin
Options					
Emergency Backup EML8 800lm EML16 1600lm		Control MOS- Integral Microwave Sensor, On/Off OS- Fixture Mounted Occupancy Sensor, On/Off MOSB- Integral Bi-Level Microwave Sensor MOSB-FM- Fixture Mounted Bi-Level Microwave Sensor OSBL- Fixture Mounted Occupancy Sensor, Bi-Level		Accessories FW3- 6' 3 Wire Fixture whip FW4- 6' 4 Wire Fixture Whip	

Specifications and Dimensions subject to change without notice

¹ Made to order items. Minimum 90 day lead time. Minimum 500 order quantity.

² DLC Listed

Adders Options & Accessories



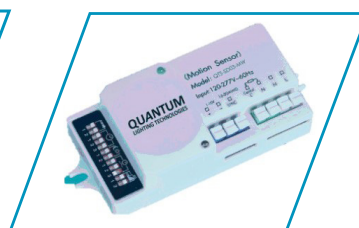
Fixture Mounted Occupancy, On/Off

An economical fixture mounted sensor utilizing passive infrared technology turns the fixture On/Off.



Fixture Mounted Occupancy Sensor, Bi-Level

Fixture mounted sensor utilizing passive infrared technology that dims the fixture to either 10,20,30, or 50% of full light output for safety and code compliance, and automatically switches to full illumination when the space is occupied.



Integral Bi-Level Microwave Sensor

Part of the Globalux family of Intelligent sensors that dims the fixture to either 10,20,30, or 50% of full light output for safety and code compliance, and automatically switches to full illumination when the space is occupied.



Microwave Bi-Level Sensor Fixture Mount

An IP65 and remote capable part of the Globalux family of Intelligent sensors that dims the fixture to either 10,20,30, or 50% of full light output for safety and code compliance, and automatically switches to full illumination when the space is occupied.



High Voltage Transformers

High voltage transformers allow the fixture to receive a higher power input of 347V-480V.



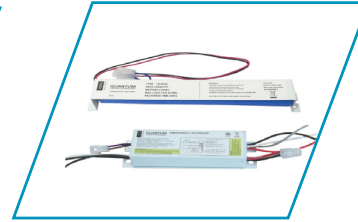
Cords & Plug Option

Standard 6ft cord with custom lengths and plugs available for wiring fixture.



Fixture Whips

Armored cable fixture whips used for lighting and power distribution.



Emergency Battery

The emergency battery back-up provides 90 minutes of power to your fixture in the event of an emergency.

Emergency Battery Back-up

EML8 800 Lumen Emergency
Battery

High Voltage

HVD 347-480V, 0-10V Dimming

Fixture Whips

FW6-183 6FT Flex 18/3
FW6-184 6FT Flex

Cords, Plugs & Whips

CS6-183-515P-BL 6' Cord 18/3 NEMA 515P 120V Black Finish
CS6-183-183-BL 6' Cord 18/3 TO 18/3 SJT ENDS Black Finish
CS6-183-L515P-BL 6' Cord 18/3 NEMA L515P(Twist Locking) 120V
CS6-183-L615P-BL 6' Cord 18/3 NEMA L715P(Twist Locking) 240V
CS6-183-L715P-BL 6' Cord 18/3 NEMA L715P(Twist Locking) 277V

Consult Factory for Additional Options and Cord Lengths

Motions Sensors

OS Fixture Mounted Occupancy Sensor
OSBL Fixture Mounted Occupancy Sensor, Bi-Level
MOSB Integral Mic. Sensor Bi-Level
MOSB-FM Fixture Mounted Mic. Sensor Bi-Level