

PROJECT	NOTES	TYPE	DATE	CAT. No.
---------	-------	------	------	----------



CVL

Curved Glass Vanity Light

The CVL Bathroom Vanity Lights bring contemporary elegance to various interior styles. Its curved soft white glass shades harmonize with sleek metal components. Available in 4 lighting configurations, making it a versatile choice for bathrooms and adding a touch of grace to your space.



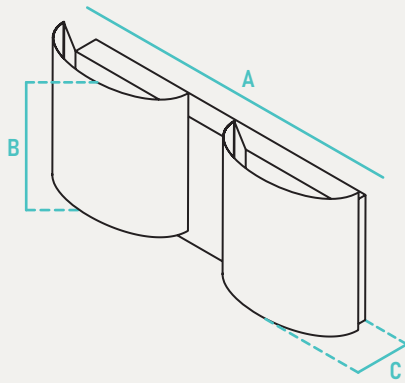
INPUT VOLTAGE	120V
INPUT FREQUENCY	60 Hz
RATED WATTAGE	See Performance Data
DELIVERED LUMENS	See Performance Data
EFFICACY	70 LPW (typ.)
CRI	80 (LED Models)
AVAILABLE CCT	3000K (LED Models)
LENS TYPE	Glass

RATED LIFE	35,000hrs (Based on 3hrs a Day)
L70	N/A
POWER FACTOR	>0.9
THD	N/A
DIMMING	Triac Dimming
OPERATING TEMP.	32°F - 104°F / 0°C to 40°C
BEAM ANGLE	120°

ORDER INFO / EXAMPLE: CVL-3-24-120D-830-BN

QUICK SHIP ITEMS ON PG.2

SERIES	FORM FACTOR	LAMP CONFIGURATION	DRIVER TYPE	COLOR TEMP	FINISH
CVL	3	24	120D	830	BN
CVL Curved Glass Vanity Light	1- 1 Light 2- 2 Light 3- 3 Light 4- 4 Light	1 Light 8- 1x8W LED 2 Light 16- 2x8W LED 3 Light 24- 3x8W LED 4 Light 32- 4x8W LED MB- E26 Medium Socket (Special Order)	120D- 120V Triac Dimming	LED Only 830- 3000K, 80CRI BLANK- Blank for MB Configuration	BN- Brushed Nickel



PERFORMANCE DATA

FORM FACTOR	KELVIN	RATED WATTAGE	DELIVERED LUMENS	EFFICACY (LM/W)
1 Light	3000K	8W	560	70
2 Light	3000K	16W	1120	70
3 Light	3000K	24W	1680	70
4 Light	3000K	32W	2240	70

QUICK SHIP

CVL-1-8-120D-830-BN	CVL-3-24-120D-830-BN
CVL-2-16-120D-830-BN	CVL-4-32-120D-830-BN

ADDITIONAL IMAGES



RECOMMENDED DIMMERS

DVCL-153P (Lutron)

	A	B	C	Case QTY
CVL-1-8	8-1/4" W	6" H	4-1/8" D	8
CVL-2-16	18-3/4" W	6" H	4-1/8" D	4
CVL-3-24	28-3/4" W	6" H	4-1/8" D	4
CVL-4-32	38-3/4" W	6" H	4-1/8" D	4

CONSTRUCTION

White Glass shades surround an elongated aluminum bar and mounting plate. Lens design and materials provide uniform appearance without pixelation.

ELECTRICAL

Equipped standard with 120-277V fixed output driver operating at 60Hz.

QUALIFICATIONS

All luminaires are built to UL 1598 and 2108 standards, and bear appropriate ETL labels. Damp location labeling is standard. Emergency equipped fixtures labeled UL924. Suitable for closets according to NEC Section 410.8 & 410.16. Adheres to LM70, LM80 and TM21 industry standards. Dedicated 120V Models are FCC Title 47 CFR, Part 15, Class B for residential and commercial applications. LED Models are Energy Star Qualified.

INSTALLATION

Designed for wall mounting on 4" electrical J-Box.

WARRANTY

3-year Limited Warranty. See warranty documentation for more info.

COMPATIBLE JUNCTION BOXES



4" PVC



4" Octagon



4" PVC Ceiling Box



3-1/2" Octagon



4" Round Pancake

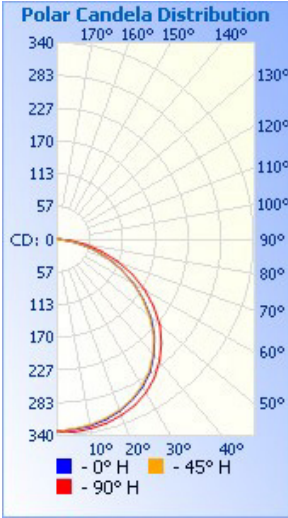


4" Octagon / V Bracket

PHOTOMETRIC DATA

RDL-7

NEED TO UPDATE



Zone	Lumens	% Lamp	% Luminaire
0-30	266.3	25.7%	25.7%
0-40	444.5	42.8%	42.9%
0-60	806.5	77.7%	77.8%
60-90	227.7	21.9%	22%
70-100	96.7	9.3%	9.3%
90-120	1.1	0.1%	0.1%
0-90	1,034.2	99.6%	99.7%
90-180	2.7	0.3%	0.3%
0-180	1,036.9	99.9%	100%

		Effective Floor Cavity Reflectance: 20%																							
RCC %:		80				70				50				30				10				0			
RW %:		70	50	30	0	70	50	30	0	50	30	20	50	30	20	50	30	20	50	30	20	0			
RCR: 0		1.19	1.19	1.19	1.19	1.16	1.16	1.16	1.00	1.11	1.11	1.11	1.06	1.06	1.06	1.02	1.02	1.02	1.00						
1		1.08	1.03	.99	.95	1.06	1.01	.97	.84	.97	.94	.91	.93	.90	.88	.89	.87	.85	.83						
2		.98	.90	.83	.77	.96	.88	.81	.70	.84	.79	.74	.81	.76	.72	.78	.74	.71	.69						
3		.89	.79	.70	.64	.87	.77	.69	.59	.74	.67	.62	.71	.65	.61	.69	.64	.60	.57						
4		.82	.69	.60	.54	.79	.68	.60	.51	.66	.58	.52	.63	.57	.52	.61	.55	.51	.49						
5		.75	.62	.53	.46	.73	.61	.52	.44	.59	.51	.45	.57	.50	.45	.55	.49	.44	.42						
6		.69	.56	.46	.40	.67	.55	.46	.38	.53	.45	.39	.51	.44	.39	.49	.43	.39	.36						
7		.64	.50	.41	.35	.62	.49	.41	.34	.48	.40	.35	.46	.40	.34	.45	.39	.34	.32						
8		.60	.46	.37	.31	.58	.45	.37	.30	.44	.36	.31	.42	.36	.31	.41	.35	.30	.29						
9		.56	.42	.34	.28	.54	.41	.33	.27	.40	.33	.28	.39	.32	.28	.38	.32	.27	.26						
10		.52	.39	.31	.25	.51	.38	.30	.25	.37	.30	.25	.36	.30	.25	.35	.29	.25	.23						

Made to order items. Minimum 90 day lead time. Minimum order quantity may vary please contact sales.

¹ DLC Listed / ² DLC Premium Listed / ³ Title 24 / ⁴ JA8 & Title 24 / Typical color consistency. May vary or be changed.

L70 hours calculated based on LED package manufacturer LM80 report and ISTMT report of LED in luminaire. Stated values are for select catalog numbers. Contact Globalux for detailed information. / Actual performance may differ as a result of end-user environment and application. All values are design or typical values, measured under laboratory conditions at 25 °C.