

PROJECT	NOTES	TYPE	DATE	CAT. No.
---------	-------	------	------	----------

MOD2

52" Moderna Ceiling Fan

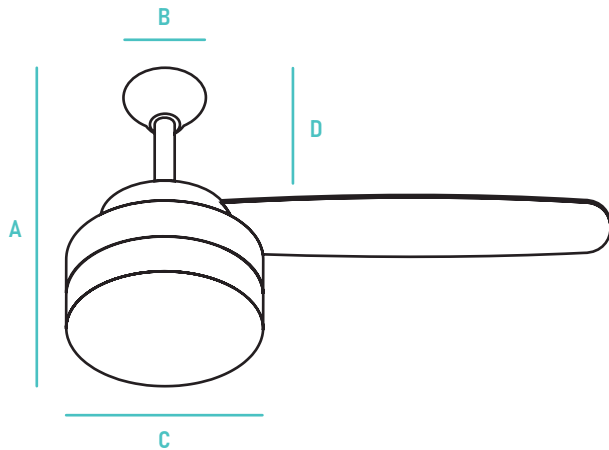
The MOD2 series is a ceiling fan featuring a stylish 3 or 4 blade design. With clean lines and modern design this fan makes a modernized addition to your contemporary home décor. The reversible feature makes this fan perfect to use during every season.



INPUT VOLTAGE	120V	COLOR CONSISTENCY	-
INPUT FREQUENCY	60 Hz	RATED LIFE	-
RATED WATTAGE	18W	L70	-
DELIVERED LUMENS	1100Lm	POWER FACTOR	-
EFFICACY	>80 LPW(typ.)	THD	-
CRI	90CRI	DIMMING	Yes
AVAILABLE CCT	N/A	OPERATING TEMP.	-0.4°F - 104°F / -18°C to 40°C
FAN DIAMETER	52"	RPM (H/M/L)	195/133/79
MOTOR LEAD LENGTHS	80"	AIRFLOW EFFICIENCY (CFM/W)	90
MOTOR SIZE	AC 153mm x 16mm	AIRFLOW (CFM)	4954
ELECTRICITY USE (H/M/L)	59.8/28.3/10.9	AVERAGE AIRFLOW CFMave	3534
AMPS (H/M/L)	0.53/0.38/0.23	LENS TYPE	Acrylic

ORDER INFO / EXAMPLE: MOD2-52-3-18D-930-WH-WH-WC

SERIES	SIZE	FAN BLADE	LIGHT SOURCE	COLOR TEMP	FINISH	BLADE COLOR	ACCESSORY
MOD2	52	3	18D	930	WH	WH	WC
MOD2 52" Moderna Ceiling Fan	52- 52" Sweep	3- 3 Blades 4- 4 Blades	18D- 18W Intergrated LED 1100 Lumens 120V, Dims to 10%	930- 3000K, 90+CRI	WH- White BL- Black BN- Brushed Nickel	WH- White BL- Black SB- Silver/Black Reversible	WC- 3 Speed Wall Controller with On/ Off Light Switch (CFWC-3-WH)



ADDITIONAL IMAGES



	A	B	C	D	Case QTY
MOD2	10.5"	7.5"	7.5"	8.3"	1

CONSTRUCTION

Steel Housing, Plywood Blades and Acrylic Diffuser provides uniform appearance without pixelation.

MOTOR

Reversible 3-Speed with 80" Lead Wire. Premium Silicone Steel AC Motor

QUALIFICATIONS

All ceiling fans are built to UL 507 standards, and bear appropriate ETL labels. Dry location labeling is standard.

BLADES

52" Sweep, 3 and 4 Blade Configuration; Blade Pitch: 11°; Color: Black

ELECTRICAL

Operates at 120V 60HZ.

WARRANTY

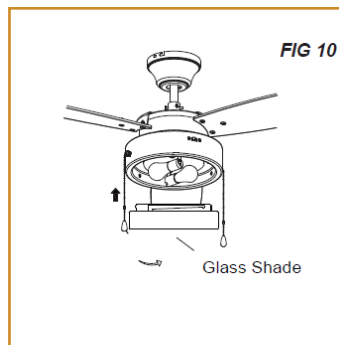
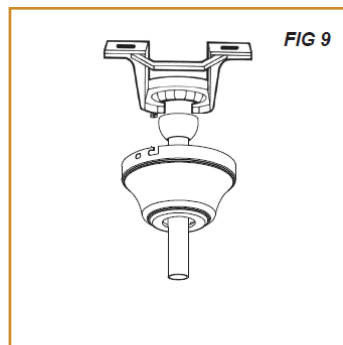
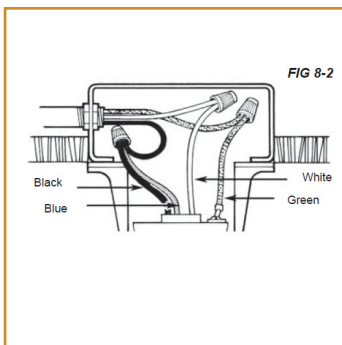
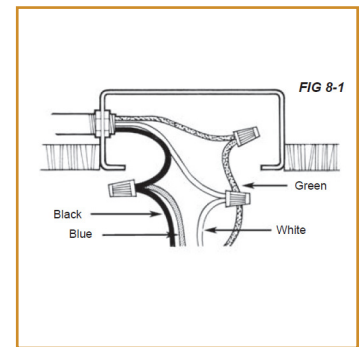
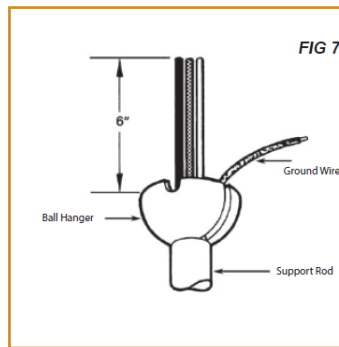
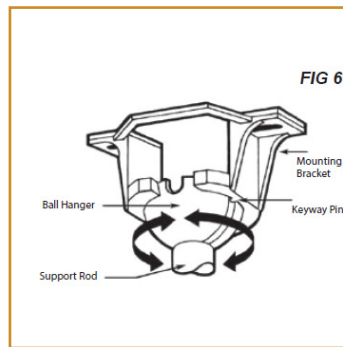
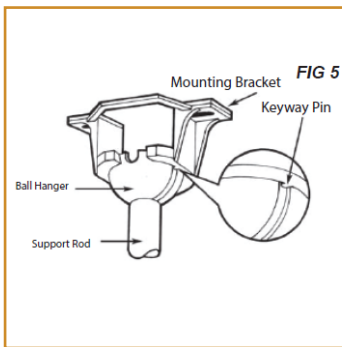
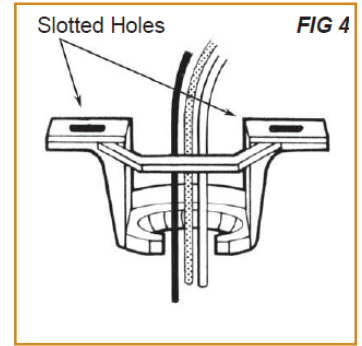
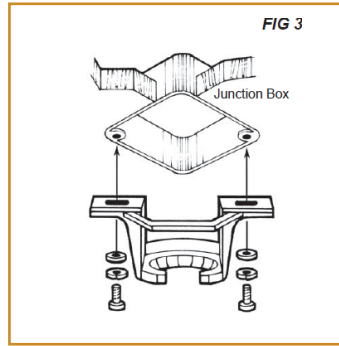
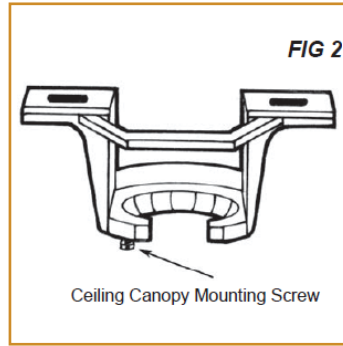
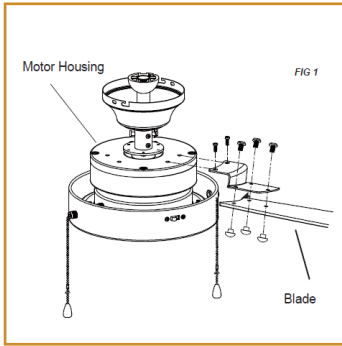
Light Source: 3-year limited warranty. Motor: Limited Lifetime Warranty. Non-Electrical 1 Year Limited Warranty. See complete warranty for terms and exclusions. (Labor not included).

COMPATIBLE JUNCTION BOXES



4" PVC Ceiling Box

INSTALLATION INSTRUCTIONS



Made to order items. Minimum 90 day lead time. Minimum order quantity may vary please contact sales.

¹ DLC Listed / ² DLC Premium Listed / ³ Title 24 / ⁴ JA8 & Title 24 / Typical color consistency. May vary or be changed.

L70 hours calculated based on LED package manufacturer LM80 report and ISTMT report of LED in luminaire. Stated values are for select catalog numbers. Contact GlobaLux for detailed information. / Actual performance may differ as a result of end-user environment and application. All values are design or typical values, measured under laboratory conditions at 25 °C.