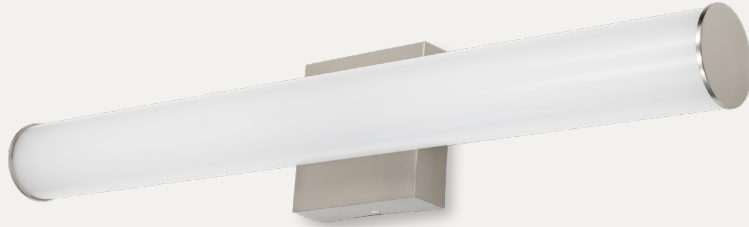


PROJECT	NOTES	TYPE	DATE	CAT. No.
---------	-------	------	------	----------

# VRL

## LED Round Vanity



The VRL Series tiered contemporary framed wall mounted vanity fixture and is available in brushed nickel. Updated with the latest in LED technology. The long LED life coupled with exceptional color rendering make this fixture attractive for new or retrofit projects. The VRL is an elegant lighting solutions that can be used in various applications including corridors and restrooms. Fixture junction box (not included).



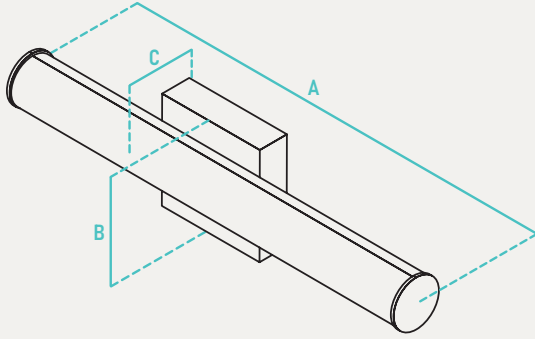
INPUT VOLTAGE	120V
INPUT FREQUENCY	50/60 Hz
RATED WATTAGE	See Performance Data
DELIVERED LUMENS	See Performance Data
EFFICACY	See Performance Data
CRI	90CRI
AVAILABLE CCT	2700K, 3000K, 3500K, 4000K, 5000K
LENS TYPE	Plastic

RATED LIFE	30,000hrs (Based on 3hrs a Day)
L70	>50,000hrs
POWER FACTOR	>0.9
THD	N/A
DIMMING	120V Triac Dimming (10-100%)
OPERATING TEMP.	-4°F - 113°F / -20°C to 45°C
BEAM ANGLE	N/A

### ORDER INFO / EXAMPLE: VRL-24-20-120D-MCT-BN

QUICK SHIP ITEMS ON PG.2

SERIES	FORM FACTOR	RATED WATTAGE	DRIVER TYPE	COLOR TEMP	FINISH
VRL	24	20	120D	MCT	BN
VRL LED Round Vanity	24- 24" Width 36- 36" Width	24" Width 20- 20W Integrated LED, 2000 Lumens 36" Width 26- 26W Integrated LED 2600 Lumens	120D- 120V Triac Dimming, 10-100%	MCT- 2700K, 3000K, 3500K, 4000K, 5000K; 90CRI	BN- Brushed Nickel



	A	B	C	Case QTY
VRL-24	24.7" W	3.9" H	4.5" D	6
VRL-36	36.8" W	3.9" H	4.5" D	6

### CONSTRUCTION

Single ring surround a milk white acrylic diffuser which provides widespread and even illumination. Lens design and materials provide uniform illumination without pixelation.

### ELECTRICAL

Equipped standard with 120V fixed output driver operating at 60 Hz.

### QUALIFICATIONS

All luminaires are built to UL 1598 and 2108 standards, and bear appropriate ETL labels. Damp location labeling. Adheres to LM70, LM80, and TM21 industry standards. ENERGY STAR® certified product (for 3000K and 4000K only) and Title 24 qualified. Dedicated 120V Models are FCC Title 47 CFR, Part 15, Class B for residential and commercial applications. California Title 24 Compliant, JA8 compliant, CEC Listed.

### INSTALLATION

Designed for wall mounting on 4" electrical J-Box.

### WARRANTY

3-year limited warranty. See complete warranty for terms and exclusions. (Labor not included).

### RECOMMENDED DIMMERS

DVCL-153P (Lutron)

### PERFORMANCE DATA

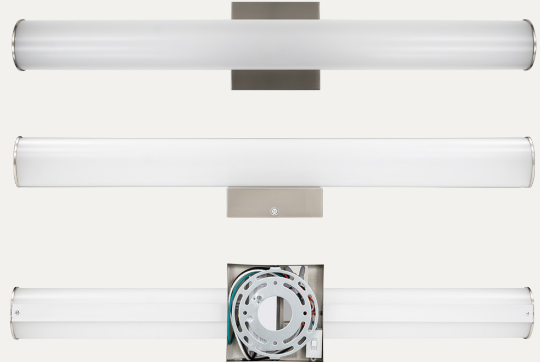
FORM FACTOR	KELVIN	RATED WATTAGE	DELIVERED LUMENS	EFFICACY (LM/W)
24"	27K-5K	20W	2000	100
36"	27K-5K	26W	2600	100

### QUICK SHIP

VRL-24-20-120D-MCT-BN

VRL-36-26-120D-MCT-BN

### ADDITIONAL IMAGES



Made to order items. Minimum 90 day lead time.  
 Minimum order quantity may vary please contact sales.  
<sup>1</sup> DLC Listed / <sup>2</sup> DLC Premium Listed / <sup>3</sup> Title 24 / <sup>4</sup> JA8 & Title 24  
 Typical color consistency. May vary or be changed. L70 hours calculated based on LED package manufacturer LM80 report and ISTMT report of LED in luminaire. Stated values are for select catalog numbers. Contact GlobaLux for detailed information.  
 Actual performance may differ as a result of end-user environment and application. All values are design or typical values, measured under laboratory conditions at 25 °C.

### COMPATIBLE JUNCTION BOXES



4" PVC



4" Octagon



4" PVC Ceiling Box



3-1/2" Octagon



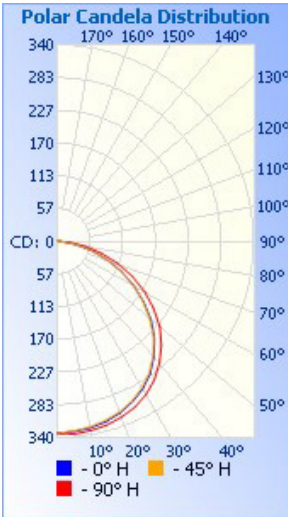
4" Round Pancake



4" Octagon / V Bracket

## PHOTOMETRIC DATA

RDL-7



### Zonal Lumen Summary

Zone	Lumens	% Lamp	% Luminaire
0-30	266.3	25.7%	25.7%
0-40	444.5	42.8%	42.9%
0-60	806.5	77.7%	77.8%
60-90	227.7	21.9%	22%
70-100	96.7	9.3%	9.3%
90-120	1.1	0.1%	0.1%
0-90	1,034.2	99.6%	99.7%
90-180	2.7	0.3%	0.3%
0-180	1,036.9	99.9%	100%

### Coefficients Of Utilization - Zonal Cavity Method

Effective Floor Cavity Reflectance: 20%

RCC %:	80				70				50				30				10				0
RW %:	70	50	30	0	70	50	30	0	50	30	20	0	50	30	20	0	50	30	20	0	0
RCR: 0	1.19	1.19	1.19	1.19	1.16	1.16	1.16	1.00	1.11	1.11	1.11	1.00	1.06	1.06	1.06	1.00	1.02	1.02	1.02	1.00	1.00
1	1.08	1.03	.99	.95	1.06	1.01	.97	.84	.97	.94	.91	.84	.93	.90	.88	.84	.89	.87	.85	.83	.83
2	.98	.90	.83	.77	.96	.88	.81	.70	.84	.79	.74	.74	.81	.76	.72	.72	.78	.74	.71	.69	.69
3	.89	.79	.70	.64	.87	.77	.69	.59	.74	.67	.62	.62	.71	.65	.61	.61	.69	.64	.60	.57	.57
4	.82	.69	.60	.54	.79	.68	.60	.51	.66	.58	.52	.52	.63	.57	.52	.52	.61	.55	.51	.49	.49
5	.75	.62	.53	.46	.73	.61	.52	.44	.59	.51	.45	.45	.57	.50	.45	.45	.55	.49	.44	.42	.42
6	.69	.56	.46	.40	.67	.55	.46	.38	.53	.45	.39	.39	.51	.44	.39	.39	.49	.43	.39	.36	.36
7	.64	.50	.41	.35	.62	.49	.41	.34	.48	.40	.35	.35	.46	.40	.34	.34	.45	.39	.34	.32	.32
8	.60	.46	.37	.31	.58	.45	.37	.30	.44	.36	.31	.31	.42	.36	.31	.31	.41	.35	.30	.29	.29
9	.56	.42	.34	.28	.54	.41	.33	.27	.40	.33	.28	.28	.39	.32	.28	.28	.38	.32	.27	.26	.26
10	.52	.39	.31	.25	.51	.38	.30	.25	.37	.30	.25	.25	.36	.30	.25	.25	.35	.29	.25	.23	.23

Made to order items. Minimum 90 day lead time. Minimum order quantity may vary please contact sales.

<sup>1</sup> DLC Listed / <sup>2</sup> DLC Premium Listed / <sup>3</sup> Title 24 / <sup>4</sup> JA8 / Typical color consistency. May vary or be changed.

L70 hours calculated based on LED package manufacturer LM80 report and ISTMT report of LED in luminaire. Stated values are for select catalog numbers. Contact GlobaLux for detailed information. / Actual performance may differ as a result of end-user environment and application. All values are design or typical values, measured under laboratory conditions at 25 °C.