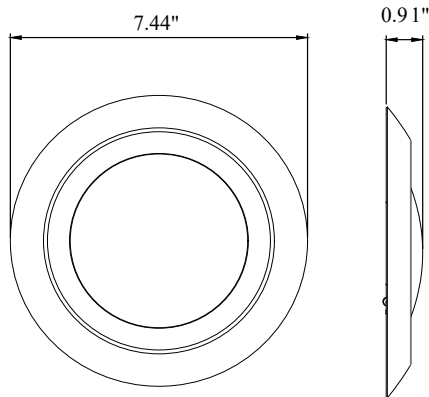


# Ordering Information

## Dimensions

### LDL4-6



## Specification Features

### Construction

Aluminum spun reflection with diffusion lens for optimal visual comfort while providing uniform light output. Lens design and materials provide uniform appearance without pixelation.

### Qualifications

All luminaires are built to UL 1598 and 2108 standards, and bear appropriate ETL labels. Wet location labeling is standard. Adheres to LM70, LM80, and TM21 industry standards. ENERGY STAR® certified product (for 3000K and 4000K only) and Title 24 qualified. Dedicated 120V Models are FCC Title 47 CFR, Part 15, Class B for residential and commercial applications. California Title 24 Compliant, JA8 Compliant, CEC Listed, State of California Energy Commission.

### Warranty

3-year Limited Warranty. See warranty documentation for more information.



### Electrical

Equipped standard with 120V 10-100% dimming driver.

### Installation

6" models are designed for mounting on a 4" electrical J-box. 4" models are designed for mounting on a 3" electrical J-box.

### LDL4 Series

#### 4" Housing

11W (700 Lumens)

#### 6" Housing

15W (1,050 Lumens)

Rated Life 50,000 hours  
Limited Warranty 3 years  
Efficacy Up to 70 LPW  
Triac Dimming



### Quick Ship

- LDL4-4-11-120D-930-WH
- LDL4-4-11-120D-940-WH
- LDL4-4-11-120D-930-NS
- LDL4-4-11-120D-930-ORB
- LDL4-6-15-120D-930-WH
- LDL4-6-15-120D-940-WH
- LDL4-6-15-120D-930-NS
- LDL4-6-15-120D-930-ORB

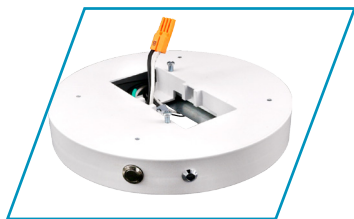
## Ordering Information

Example: LDL4-6-15-120D-930-WH

LDL4	6	15	120D	9	40	WH
<b>Series</b> LDL4 LED Disk Light, Low Profile Lens	<b>Size</b> 4-4"¹ ² 6- 6"¹ ²	<b>Rated Wattage</b> <b>4" Housing</b> 11- 11W (750 Lumens)¹ ² <b>6" Housing</b> 15-15W (1000 Lumens)¹ ²	<b>Driver Type</b> 120D-120V Dimming, Dims to 10%	<b>CRI</b> 9 90+ CRI¹ ²	<b>Color Temp</b> 30 3000 K¹ ² 40 4000 K¹	<b>Finish</b> NS- Nickel Satin¹ ORB-Oil¹ Rubbed Bronze¹ WH- White¹ ²
<b>Options</b>						
<b>Emergency Backup</b>						
EM-LDL-6-WH		6" Emergency Battery				
EMBX-LDL-6-WH		6" Blank Box for EM unit				

Specifications and Dimensions subject to change without notice.

# Adders Options & Accessories



## Emergency Battery

The emergency battery back-up provides 90 minutes of power to your fixture in the event of an emergency.

**Emergency Battery Back-up**