

PROJECT	NOTES	TYPE	DATE	CAT. No.
---------	-------	------	------	----------

FINISH OPTIONS ON PAGE 2



AEL

Architectural LED AC/Emergency Light

The AEL series is an architectural LED emergency light suitable for both interior or exterior use, this high performance LED emergency light may be applied as a path of egress fixture or a total building wall pack solution.

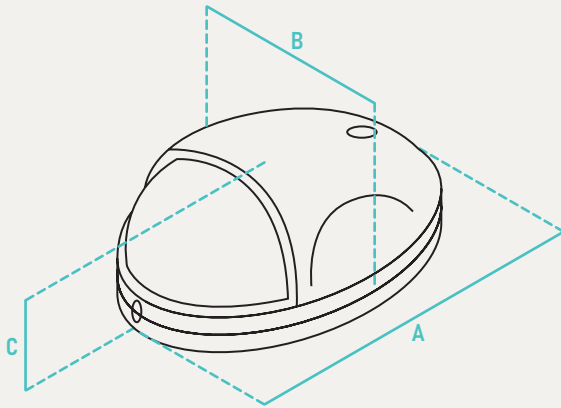


INPUT VOLTAGE	120-277V	RATED LIFE	5yrs (Based on 3hrs a Day)
INPUT FREQUENCY	50/60 Hz	L70	N/A
RATED WATTAGE	15W	POWER FACTOR	0.9
DELIVERED LUMENS	1800-2025	THD	20%
EFFICACY	120-135 LPW (typ.)	DIMMING	0-10V
CRI	80	OPERATING TEMP.	N/A
AVAILABLE CCT	3000K, 4000K, 5000K	BEAM ANGLE	100°
LENS TYPE	PC Lens		

ORDER INFO / EXAMPLE: AEL-BR-830/40/50-EM-P

QUICK SHIP ITEMS ON PG.2

SERIES	COLOR	COLOR TEMP	EMERGENCY BATTERY	OPTIONS
AEL	BR	830/40/50	EM	P
AEL Architectural LED AC/Emergency Light	BR- Bronze BL- Black WH- White	830/40/50- 3000K, 4000K, 5000K CCT Selectable; 80+CRI	EM- Emergency Battery	P- Photocell



PERFORMANCE DATA				
FORM FACTOR	KELVIN	RATED WATTAGE	DELIVERED LUMENS	EFFICACY (LM/W)
15W	3K/4K/5K	15W	2025	135

QUICK SHIP	
AEL-BL-830/40/50-EM-P	AEL-BR-830/40/50-EM-P

ADDITIONAL IMAGES

	A	B	C	Case QTY
AEL	11.77" H	6.53" W	3.77" D	10

CONSTRUCTION

Decorative low profile architectural design, seated and gasketed die cast aluminum housing.

ELECTRICAL

Dual 120/277 voltage. Charge rate/power "ON" LED indicator light and push-to-test switch for mandated code compliance testing. 3.6 long-life, maintenance - free, rechargeable NiCad. Internal solid-state transfer switch automatically connects the internal battery to the LED lamp head for minimum 90-minute emergency illumination. Fully automatic solid-state, two-rate charger initiates battery charging to recharging a discharged battery in 24 hours.

QUALIFICATIONS

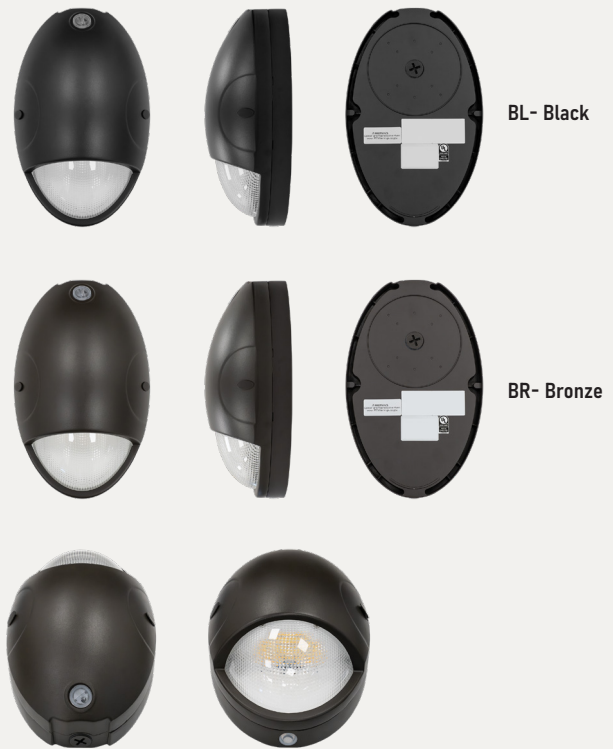
All luminaires are built to UL 1598 and 2108 standards, and bear appropriate ETL labels. Wet location labeling is standard. Emergency equipped fixtures labeled UL924. Adheres to LM70, LM80, and TM21 industry standards.

INSTALLATION

Suitable for surface mounting via black plate that fits most exists J-boxes. Threaded opening at the top of the enclosure for conduit mount.

WARRANTY

5-year Limited Warranty. See warranty documentation for more info.

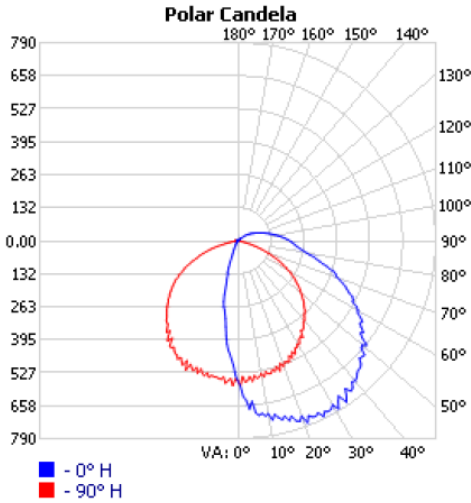


COMPATIBLE JUNCTION BOX

4" PVC	4" Octagon	4" PVC Ceiling Box	3-1/2" Octagon	4" Round Pancake	4" Octagon / V Bracket

PHOTOMETRIC DATA

AEL-BR-830/40/50-EM-P



Zonal Lumen Summary

Zone	Lumens	% Lamp	% Luminaire
0-30	400.7	23%	23%
0-40	648.5	37.3%	37.3%
0-60	1,171.2	67.3%	67.3%
60-90	431.2	24.8%	24.8%
70-100	279.0	16%	16%
90-120	120.8	6.9%	6.9%
0-90	1,602.3	92.1%	92.1%
90-180	137.6	7.9%	7.9%
0-180	1,739.9	100%	100%

Made to order items. Minimum 90 day lead time. Minimum order quantity may vary please contact sales.

¹ DLC Listed / ² DLC Premium Listed / ³ Title 24 / ⁴ JA8 & Title 24 / Typical color consistency. May vary or be changed.

L70 hours calculated based on LED package manufacturer LM80 report and ISTMT report of LED in luminaire. Stated values are for select catalog numbers. Contact Globalux for detailed information. / Actual performance may differ as a result of end-user environment and application. All values are design or typical values, measured under laboratory conditions at 25 °C.