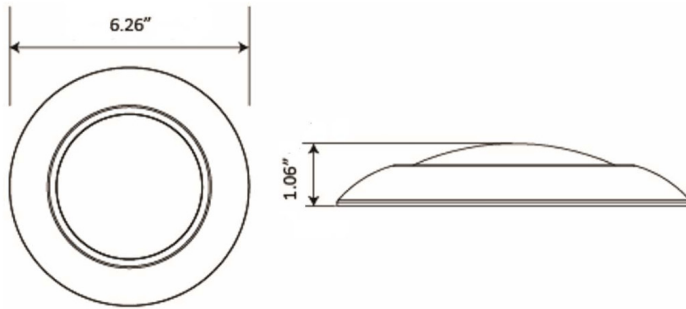




LED Disk Light, Regressed Lens  
LDL3 Series

# Ordering Information

## Dimensions



## Specification Features



### Construction

Aluminum spun reflection with diffusion lens for Optimal visual comfort while providing uniform light output. Lens design and materials provide uniform appearance without pixelation.

### Qualifications

All luminaires are built to UL 1598 and 2108 standards, and bear appropriate ETL labels. Wet location labeling is standard. Adheres to LM70, LM80, and TM21 industry standards. ENERGY STAR® certified product (for 3000K and 4000K only) and Title 24 qualified. Dedicated 120V Models are FCC Title 47 CFR, Part 15, Class B for residential and commercial applications. California Title 24 Compliant, JA8 Compliant, CEC Listed, State of California Energy Commission.

### Warranty

3-year Limited Warranty. See warranty documentation for more information.

### Electrical

Equipped standard with 120V 10-100% dimming driver.

### Installation

6" and 9" models are designed for mounting on a 4" electrical J-box. 4" models are designed for mounting on a 3" electrical J-box.

### LDL3 Series

#### 4" Housing

11W (750 Lumens)

#### 6" Housing

15W (1000 Lumens)

Rated Life 50,000 hours

Limited Warranty 3 years

Efficacy Up to 77 LPW

Continuous Dimming



### Quick Ship

LDL3-4-11-120D-930-WH

LDL3-6-15-120D-930-WH

## Ordering Information

Example: LDL3-6-15-120D-930-WH

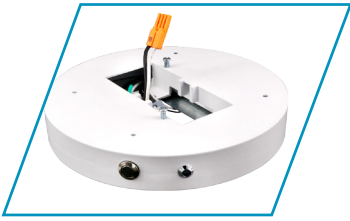
| LDL3   | 6   | 15   | 120D   | 9   | 40  | WH   |
|--|---|--|--|---|---|--|
| <b>Series</b><br>LDL3<br>LED Disk Light,<br>Regressed Lens | <b>Size</b><br>4-4" <sup>1 2</sup><br>6-6" <sup>1 2</sup> | <b>Rated Wattage</b><br><b>4" Housing</b><br>11- 11W (750 Lumens) <sup>1 2</sup><br><b>6" Housing</b><br>15-15W (1000 Lumens) <sup>1 2</sup> | <b>Driver Type</b><br><b>120D</b> -120V Dimming,<br>Dims to 10%<br><b>277D</b> - 277V <sup>1</sup> | <b>CRI</b><br><b>9</b> 90+ CRI <sup>1 2</sup> | <b>Color Temp</b><br><b>30</b> 3000 K <sup>1 2</sup><br><b>40</b> 4000 K <sup>1</sup> | <b>Finish</b><br><b>NS</b> - Nickel Satin <sup>1</sup><br><b>ORB</b> -Oil <sup>1</sup><br>Rubbed Bronze <sup>1</sup><br><b>WH</b> - White <sup>1 2</sup> |
| <b>Options</b>   |   |  |  |   |   |  |
| <b>Emergency Backup</b>                                    |   |  |  |   |   |  |
|  |   |  | <b>EM-LDL-6-WH</b>   | 6" Emergency Battery                          |   |  |
|  |   |  | <b>EMBX-LDL-6-WH</b>   | Blank box to match EM unit                    |   |  |

Specifications and Dimensions subject to change without notice.

<sup>1</sup> Made to order items. Minimum 90 day lead time. Minimum 500 order quantity.

<sup>2</sup> Energy star listed

# Adders Options & Accessories



## Emergency Battery

The emergency battery back-up provides 90 minutes of power to your fixture in the event of an emergency.

### Emergency Battery Back-up

EM-LDL-6-WH  
EMBX-LDL-6-WH

6" Emergency Battery  
Blank box to match EM unit