

PROJECT	NOTES	TYPE	DATE	CAT. No.
---------	-------	------	------	----------



# RVL

## LED Ringed Vanity Light

The RVL Series is a tiered contemporary framed wall-mounted vanity fixture. Equipped with cutting-edge LED technology, this fixture boasts a long LED life and exceptional color rendering, making it an appealing choice for both new installations and retrofit projects. The RVL's elegant design lends itself well to various applications, including corridors and restrooms.



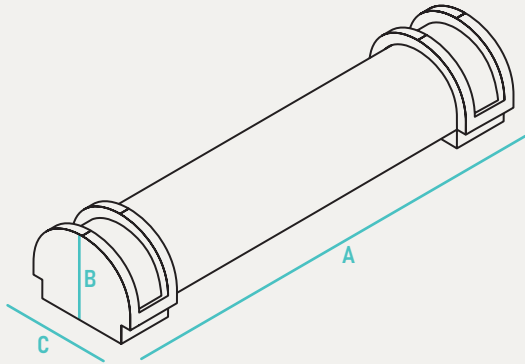
INPUT VOLTAGE	120V
INPUT FREQUENCY	60 Hz
RATED WATTAGE	See Performance Data
DELIVERED LUMENS	See Performance Data
EFFICACY	See Performance Data
CRI	80CRI, 90CRI
AVAILABLE CCT	3000K
LENS TYPE	Plastic

RATED LIFE	30,000hrs (Based on 3hrs a Day)
L70	>50,000hrs
POWER FACTOR	>0.9
THD	N/A
DIMMING	N/A
OPERATING TEMP.	-4°F - 113°F / -20°C to 45°C
BEAM ANGLE	N/A

### ORDER INFO / EXAMPLE: RVL-24-18-120-930-BN

QUICK SHIP ITEMS ON PG.2

SERIES	FORM FACTOR	RATED WATTAGE	DRIVER TYPE	COLOR TEMP	FINISH
RVL	24	18	120	930	BN
RVL LED Ringed Light Vanity	24-24" Length 36-36" Length	24" Housing 18- 18W, 1260 Lumens 26- 26W, 2080 Lumens 36" Housing 36- 36W, 2880 Lumens	120- 120V	830- 3000K, 80CRI 930- 3000K, 90CRI	BN- Brushed Nickel



## PERFORMANCE DATA

FORM FACTOR	KELVIN	RATED WATTAGE	DELIVERED LUMENS	EFFICACY (LM/W)
24"	27K-5K	18W	1260	70
24"	27K-5K	26W	2080	80
36"	27K-5K	36W	2880	80

## QUICK SHIP

RVL-24-18-120-930-BN	RVL-24-26-120-830-BN
RVL-36-36-120-830-BN	

## ADDITIONAL IMAGES



	A	B	C	Case QTY
RVL-24	24" L	3.1" H	6" W	3
RVL-36	36" L	3.1" H	6" W	1

### CONSTRUCTION

Twin steel rings surround a milk white acrylic diffused lens and provides widespread and even illumination. Lens design and materials provide a uniform appearance without pixelation

### ELECTRICAL

Equipped standard with 120V fixed output driver operating at 60Hz.

### QUALIFICATIONS

All luminaires are built to UL 1598 and 2108 standards, and bear appropriate ETL labels. Damp location labeling is standard. Emergency equipped fixtures labeled UL924. Adheres to LM70, LM80 and TM21 industry standards. Dedicated 120V Models are FCC Title 47 CFR, Part 15, Class B for residential and commercial applications.

### INSTALLATION

Designed for wall mounting on 4" electrical J-Box.

### WARRANTY

3-year Limited Warranty. See warranty documentation for more info.

## COMPATIBLE JUNCTION BOX

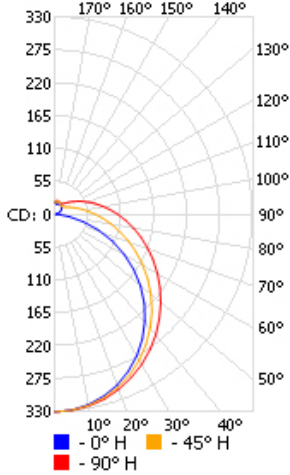


4" PVC	4" Octagon	4" PVC Ceiling Box	3-1/2" Octagon	4" Round Pancake	4" Octagon / V Bracket
--------	------------	--------------------	----------------	------------------	------------------------

## PHOTOMETRIC DATA

### RVL-24-18-120-930

#### Polar Candela Distribution



#### Zonal Lumen Summary

Zone	Lumens	% Lamp	% Luminaire
0-30	256.0	19.8%	19.8%
0-40	421.4	32.6%	32.6%
0-60	765.2	59.2%	59.2%
60-90	338.1	26.1%	26.2%
70-100	249.9	19.3%	19.3%
90-120	124.3	9.6%	9.6%
0-90	1,103.3	85.3%	85.4%
90-180	189.0	14.6%	14.6%
0-180	1,292.2	99.9%	100%

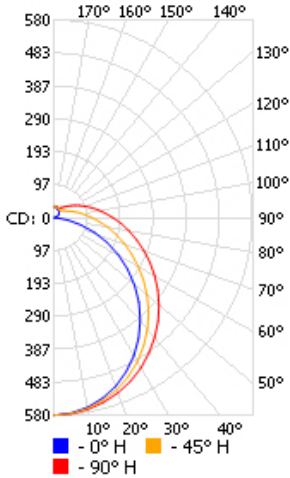
#### Coefficients Of Utilization - Zonal Cavity Method

Effective Floor Cavity Reflectance: 20%

RCC %:	80				70				50				30				10				0
RW %:	70	50	30	0	70	50	30	0	50	30	20	0	50	30	20	0	50	30	20	0	0
RCR: 0	1.15	1.15	1.15	1.15	1.11	1.11	1.11	.85	1.03	1.03	1.03		.95	.95	.95		.89	.89	.89		.85
1	1.03	.97	.92	.88	.99	.94	.89	.67	.87	.83	.79		.80	.77	.74		.74	.72	.70		.67
2	.93	.84	.76	.70	.89	.81	.74	.55	.75	.69	.64		.69	.64	.60		.64	.60	.57		.54
3	.84	.73	.64	.57	.80	.70	.62	.46	.65	.58	.53		.60	.55	.50		.56	.51	.47		.44
4	.77	.64	.55	.48	.73	.62	.53	.39	.57	.50	.45		.53	.47	.42		.50	.44	.40		.37
5	.70	.57	.48	.41	.67	.55	.46	.34	.51	.44	.38		.48	.41	.36		.44	.39	.35		.32
6	.65	.51	.42	.35	.62	.49	.41	.30	.46	.39	.33		.43	.37	.32		.40	.35	.30		.28
7	.60	.46	.37	.31	.57	.45	.36	.26	.42	.35	.29		.39	.33	.28		.37	.31	.27		.25
8	.56	.42	.33	.28	.53	.41	.33	.23	.38	.31	.26		.36	.30	.25		.34	.28	.24		.22
9	.52	.39	.30	.25	.50	.37	.30	.21	.35	.28	.23		.33	.27	.22		.31	.26	.22		.20
10	.49	.35	.28	.22	.47	.34	.27	.19	.32	.26	.21		.31	.25	.20		.29	.23	.20		.18

### RVL-36-36-120-830

#### Polar Candela Distribution



#### Zonal Lumen Summary

Zone	Lumens	% Lamp	% Luminaire
0-30	446.4	20.4%	20.4%
0-40	731.6	33.4%	33.4%
0-60	1,315.9	60.1%	60.1%
60-90	564.1	25.8%	25.8%
70-100	415.0	19%	19%
90-120	205.7	9.4%	9.4%
0-90	1,880.0	85.9%	85.9%
90-180	307.8	14.1%	14.1%
0-180	2,187.8	99.9%	100%

#### Coefficients Of Utilization - Zonal Cavity Method

Effective Floor Cavity Reflectance: 20%

RCC %:	80				70				50				30				10				0
RW %:	70	50	30	0	70	50	30	0	50	30	20	0	50	30	20	0	50	30	20	0	0
RCR: 0	1.16	1.16	1.16	1.16	1.11	1.11	1.11	.86	1.03	1.03	1.03		.96	.96	.96		.89	.89	.89		.86
1	1.03	.98	.93	.88	.99	.94	.89	.68	.87	.83	.80		.81	.78	.75		.75	.73	.70		.67
2	.93	.84	.77	.70	.89	.81	.74	.56	.75	.69	.65		.70	.65	.61		.65	.61	.58		.55
3	.85	.73	.65	.58	.81	.71	.63	.47	.66	.59	.53		.61	.55	.51		.57	.52	.48		.45
4	.77	.65	.55	.48	.74	.62	.54	.40	.58	.51	.45		.54	.48	.43		.50	.45	.41		.38
5	.71	.57	.48	.41	.68	.56	.47	.35	.52	.44	.39		.48	.42	.37		.45	.40	.35		.33
6	.65	.52	.42	.36	.62	.50	.41	.30	.47	.39	.34		.44	.37	.32		.41	.35	.31		.29
7	.60	.47	.38	.31	.58	.45	.37	.27	.42	.35	.30		.40	.33	.29		.37	.32	.27		.25
8	.56	.42	.34	.28	.54	.41	.33	.24	.39	.32	.26		.36	.30	.25		.34	.29	.24		.22
9	.52	.39	.31	.25	.50	.38	.30	.22	.36	.29	.24		.33	.27	.23		.32	.26	.22		.20
10	.49	.36	.28	.23	.47	.35	.27	.20	.33	.26	.21		.31	.25	.21		.29	.24	.20		.18

Made to order items. Minimum 90 day lead time. Minimum order quantity may vary please contact sales.

<sup>1</sup> DLC Listed / <sup>2</sup> DLC Premium Listed / <sup>3</sup> Title 24 / <sup>4</sup> JA8 / Typical color consistency. May vary or be changed.

L70 hours calculated based on LED package manufacturer LM80 report and ISTMT report of LED in luminaire. Stated values are for select catalog numbers. Contact Globalux for detailed information. / Actual performance may differ as a result of end-user environment and application. All values are design or typical values, measured under laboratory conditions at 25 °C.