

LED Strip Light Installation Instructions

Safety Precautions

PLEASE READ THESE INSTRUCTIONS CAREFULLY AND SAVE THEM. AS YOU MAY NEED THEM AT A LATER DATE.

- 1. WARNING:** Failure to install and wire fixture in accordance with the National Electrical Codes(NEC), all applicable Federal, State and Local electrical codes, as well as specific ETL safety standards for the intended working environment(location/application), may cause serious personal injury, death and/or property damage. This product must be installed by a person familiar with the construction and operation of the product and the hazards involved.
- 2. CAUTION:** TURN OFF POWER FROM THE MAIN CIRCUIT BEFORE INSTALLING FIXTURE. Make sure fixture is grounded per National Electrical Codes (NEC).
- 3. IMPORTANT NOTE:** The safeguards and instructions appearing on this page, are not meant to cover all possible conditions and situations that may occur. It may be understood that common sense, cautions, and care are factors which cannot be built into any product. The person(s) installing, operating and responsible for the light fixture, must execute these factors.
- 4. WARNING:** Risk of fire and electrical shock. Most dwellings built before 1985 have supply wires rated 60° C. Consult a qualified electrician before installing. If supply wires are located within 3 inches of the ballast, use wires rated at least 90° C

NEEDED TOOLS

- Safety Glasses
- Ruler/Tape Measure
- Flat Blade Screwdriver
- Phillips Screwdriver
- Adjustable Wrench
- Drill
- 3/16" Drill Bit
- 3/32" Drill Bit
- Pliers

Assembly Instructions

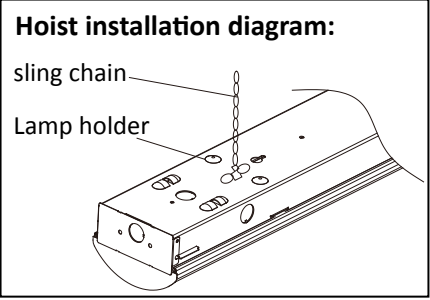
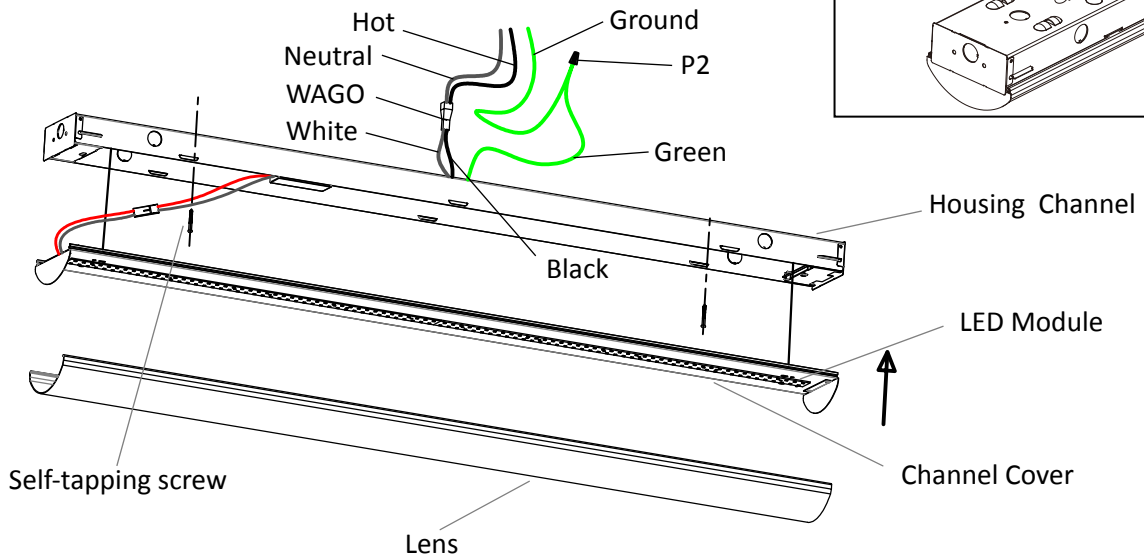
TURN OFF POWER FROM THE MAIN CIRCUIT BEFORE INSTALLING FIXTURE.

1. To help prevent the possibility of electrical shock, the use for rubber sole shoes is recommended.
2. Exercise care, use work gloves when handling the fixture to avoid cuts or abrasions.
3. Press channel and remove channel cover. Inside you will find the lampholder(s).
4. Install fixture: Locate ceiling joints and screw in fixtures using wood screws of appropriate length (screws not included). Use toggle bolts for drywall mounting.
5. Electrical Connections: Connect green/or bare copper wire to the green ground wire of fixture. (Ground wire must be properly attached or unit may not work). If quick connector not provided: Connect the white supply wire to the white fixture wire, cover them with a wire nut/or twist together and cover really well with Electrical tape. Connect the black supplier wire to the black fixture wire, cover them with a wire If quick connector provided: Plug the Line wire to black hole in quick connector. Plug the Neutral wire to white hole in quick connector. Tips: Try to pull the wire out to test if it's tighten enough.

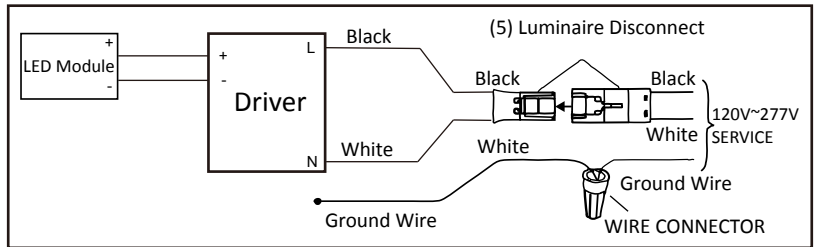
LED Strip Light Installation Instructions

6. Place Channel Cover back on Housing Channel. Then place the lens on the channel cover.
7. Turn power on.

Installation diagram:



Non dimming wiring diagram:



Dimming wiring diagram:

