

PROJECT	NOTES	TYPE	DATE	CAT. No.
---------	-------	------	------	----------



DOA

Decorative Outdoor Coach Lantern

Updated with the latest in LED technology. The DOA Series is a Traditional style, exterior coach lantern which features a clear water glass, available in powder coated black. The DOA mounts flush to a wall creates a warm, inviting exterior space as well as providing safety and security. Made of sturdy, die cast aluminum housing. Ideal for use in hallways, garages, and driveways.

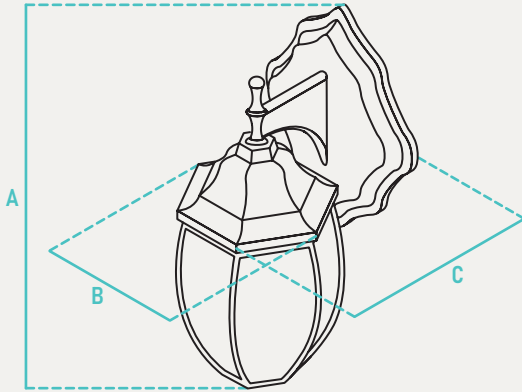


INPUT VOLTAGE	120V
INPUT FREQUENCY	50/60 Hz
RATED WATTAGE	9W
DELIVERED LUMENS	See Performance Data
EFFICACY	62.2 LPW (typ.)
CRI	80CRI
AVAILABLE CCT	3000K, 4000K, 5000K
LENS TYPE	Glass

RATED LIFE	50,000hrs (Based on 3hrs a Day)
L70	>72,000hrs or >45,000
POWER FACTOR	>0.9
THD	<20%
DIMMING	N/A
OPERATING TEMP.	-0.4°F - 104°F / -18°C to 40°C
BEAM ANGLE	150°

ORDER INFO / EXAMPLE: DOA-9-120-MCT-BL

SERIES	RATED WATTAGE	DRIVER TYPE	COLOR TEMP	FINISH
DOA	9	120	MCT	BL
DOA Decorative Outdoor Coach Lantern	9- 9W, 560 Lumens	120- 120V	MCT- 3000K, 4000K, 5000K; 80CRI	BL- Black



PERFORMANCE DATA				
FORM FACTOR	KELVIN	RATED WATTAGE	DELIVERED LUMENS	EFFICACY (LM/W)
9W	3K/4K/5K	9W	560	62.2

QUICK SHIP
DOA-9-120-MCT-BL

ADDITIONAL IMAGES



Made to order items. Minimum 90 day lead time.
 Minimum order quantity may vary please contact sales.
¹ DLC Listed / ² DLC Premium Listed / ³ Title 24 / ⁴ JA8 & Title 24
 Typical color consistency. May vary or be changed. L70 hours calculated based on LED package manufacturer LM80 report and ISTMT report of LED in luminaire. Stated values are for select catalog numbers. Contact Globalux for detailed information.
 Actual performance may differ as a result of end-user environment and application. All values are design or typical values, measured under laboratory conditions at 25 °C.

	A	B	C
DOA	10.9" H	6.5" W	7.9" E

CONSTRUCTION

Rugged die cast aluminum housing withstands outdoor environments. Outer surface treated with durable power coating to provide resistant to corrosion, rust, weathering, and or degradation. Performance engineered internal heat dissipation fins provide superior thermal management for lens life and reliability.

ELECTRICAL

Equipped standard with 120V driver operating at 60HZ.

QUALIFICATIONS

All luminaires are built to UL 1598 and 2108 standards, and bear appropriate ETL labels. Wet location labeling is standard. Emergency equipped fixtures labeled UL924. Adheres to LM70, LM80, and TM21 industry standards.

INSTALLATION

Designed for mounting on 4" electrical J-Box.

WARRANTY

3-year Limited Warranty. See warranty documentation for more info.

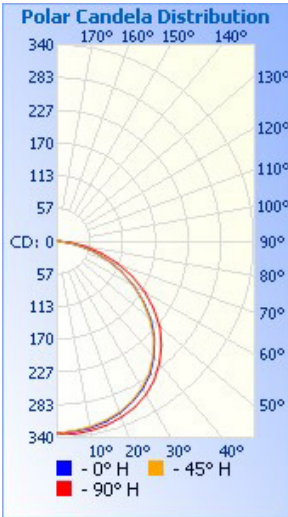
COMPATIBLE JUNCTION BOX



4" PVC	4" Octagon	4" PVC Ceiling Box	3-1/2" Octagon	4" Round Pancake	4" Octagon / V Bracket
--------	------------	--------------------	----------------	------------------	------------------------

PHOTOMETRIC DATA

RDL-7



Zonal Lumen Summary			
Zone	Lumens	% Lamp	% Luminaire
0-30	266.3	25.7%	25.7%
0-40	444.5	42.8%	42.9%
0-60	806.5	77.7%	77.8%
60-90	227.7	21.9%	22%
70-100	96.7	9.3%	9.3%
90-120	1.1	0.1%	0.1%
0-90	1,034.2	99.6%	99.7%
90-180	2.7	0.3%	0.3%
0-180	1,036.9	99.9%	100%

Coefficients Of Utilization - Zonal Cavity Method																		
																Effective Floor Cavity Reflectance: 20%		
RCC %:	80				70				50				30				10	0
RW %:	70	50	30	0	70	50	30	0	50	30	20	50	30	20	50	30	20	0
RCR: 0	1.19	1.19	1.19	1.19	1.16	1.16	1.16	1.00	1.11	1.11	1.11	1.06	1.06	1.06	1.02	1.02	1.02	1.00
1	1.08	1.03	.99	.95	1.06	1.01	.97	.84	.97	.94	.91	.93	.90	.88	.89	.87	.85	.83
2	.98	.90	.83	.77	.96	.88	.81	.70	.84	.79	.74	.81	.76	.72	.78	.74	.71	.69
3	.89	.79	.70	.64	.87	.77	.69	.59	.74	.67	.62	.71	.65	.61	.69	.64	.60	.57
4	.82	.69	.60	.54	.79	.68	.60	.51	.66	.58	.52	.63	.57	.52	.61	.55	.51	.49
5	.75	.62	.53	.46	.73	.61	.52	.44	.59	.51	.45	.57	.50	.45	.55	.49	.44	.42
6	.69	.56	.46	.40	.67	.55	.46	.38	.53	.45	.39	.51	.44	.39	.49	.43	.39	.36
7	.64	.50	.41	.35	.62	.49	.41	.34	.48	.40	.35	.46	.40	.34	.45	.39	.34	.32
8	.60	.46	.37	.31	.58	.45	.37	.30	.44	.36	.31	.42	.36	.31	.41	.35	.30	.29
9	.56	.42	.34	.28	.54	.41	.33	.27	.40	.33	.28	.39	.32	.28	.38	.32	.27	.26
10	.52	.39	.31	.25	.51	.38	.30	.25	.37	.30	.25	.36	.30	.25	.35	.29	.25	.23

Made to order items. Minimum 90 day lead time. Minimum order quantity may vary please contact sales.

¹ DLC Listed / ² DLC Premium Listed / ³ Title 24 / ⁴ JA8 & Title 24 / Typical color consistency. May vary or be changed.

L70 hours calculated based on LED package manufacturer LM80 report and ISTMT report of LED in luminaire. Stated values are for select catalog numbers. Contact GlobaLux for detailed information. / Actual performance may differ as a result of end-user environment and application. All values are design or typical values, measured under laboratory conditions at 25 °C.