

PROJECT	NOTES	TYPE	DATE	CAT. No.
---------	-------	------	------	----------



LRT2

Recessed LED Retrofit Trim

The LRT2 Series LED downlight retrofit trim provides versatile lighting on standard line voltage, yet produces the high energy savings you desire from LED fixtures. The LRT2 series allows for easy upgrade to your downlighting from the traditional recessed cans to a more modern looking, energy efficient solution. The downlight can be easily retrofitted into an existing recessed can.

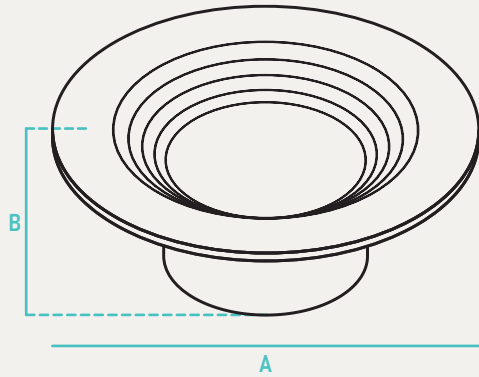


INPUT VOLTAGE	120V
INPUT FREQUENCY	50/60 Hz
RATED WATTAGE	See Performance Data
DELIVERED LUMENS	See Performance Data
EFFICACY	>70 LPW (Typ.)
CRI	80+, R8>0 ; 90+, R9>0
AVAILABLE CCT	3000K, 4000K
LENS TYPE	Acrylic

RATED LIFE	50,000hrs (Based on 3hrs a Day)
L70	>72,000hrs or >45,000
POWER FACTOR	>0.9
THD	<20%
DIMMING	120V Triac Dimming (10-100%)
OPERATING TEMP.	-0.4°F - 104°F / -18°C to 40°C
BEAM ANGLE	150°

ORDER INFO / EXAMPLE: LRT2-S-4-10-120D-MCT8-WH

SERIES	TRIM STYLE	DIAMETER	RATED WATTAGE	DRIVER TYPE	COLOR TEMP	FINISH
LRT2	S	4	10	120D	MCT	WH
LRT2 LED Retrofit Trim	S- Smooth B- Baffled	4- 4" 6- 6"	4" Housing 10- 10W, 1000 Lumens at 80CRI 700 Lumens at 90CRI 6" Housing 15- 15W, 1100 Lumens	120D- 120V Triac Dimming, 10-100%	MCT- 2700K, 3000K, 3500K, 4000K, 5000K Selectable, 90 CRI MCT8- 2700K, 3000K, 3500K, 4000K, 5000K Selectable, 80 CRI	WH- White



PERFORMANCE DATA

FORM FACTOR	KELVIN	RATED WATTAGE	DELIVERED LUMENS	EFFICACY (LM/W)
4"	27K-5K	10W	1000	100
6"	27K-5K	15W	1100	73

QUICK SHIP

LRT2-S-4-10-120D-MCT8-WH	LRT2-S-6-15-120D-MCT-WH
LRT2-S-6-15-120D-MCT8-WH	

ADDITIONAL IMAGES



RECOMMENDED DIMMERS

DVCL-153P (Lutron)

	A	B
LRT2-4	5-1/4" Dia.	2-1/8" H
LRT2-6	7-3/8" Dia.	2-1/8" H

CONSTRUCTION

Cast aluminum trim with white baffle or smooth. Lens design and materials provide uniform appearance without pixelation.

ELECTRICAL

Equipped standard with 120V, 10-100% dimming driver operating at 60Hz.

QUALIFICATIONS

All luminaires are built to UL 1598 and 2108 standards, and bear appropriate ETL labels. Wet location labeling is standard. Emergency equipped fixtures labeled UL924. Suitable for closets according to NEC Section 410.8 & 410.16. Adheres to LM70, LM80 and TM21 industry standards. Dedicated 120V Models are FCC Title 47 CFR, Part 15, Class B for residential and commercial applications. California Title 24 Compliant, JA8 compliant. CEC Listed.

INSTALLATION

Can be retrofitted into most 4", 5" or 6" recessed cans.

WARRANTY

5-year Limited Warranty. See warranty documentation for more info.

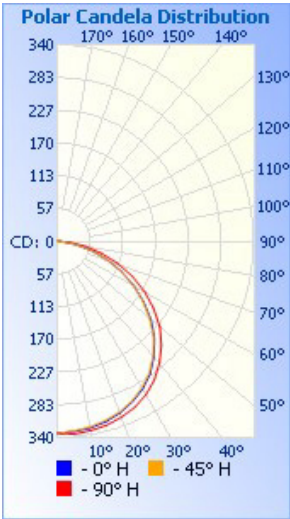
Made to order items. Minimum 90 day lead time. Minimum order quantity may vary please contact sales.

¹ DLC Listed / ² DLC Premium Listed / ³ Title 24 / ⁴ JA8 & Title 24 / Typical color consistency. May vary or be changed.

L70 hours calculated based on LED package manufacturer LM80 report and ISTMT report of LED in luminaire. Stated values are for select catalog numbers. Contact GlobaLux for detailed information. / Actual performance may differ as a result of end-user environment and application. All values are design or typical values, measured under laboratory conditions at 25 °C.

PHOTOMETRIC DATA

RDL-7



Zonal Lumen Summary

Zone	Lumens	% Lamp	% Luminaire
0-30	266.3	25.7%	25.7%
0-40	444.5	42.8%	42.9%
0-60	806.5	77.7%	77.8%
60-90	227.7	21.9%	22%
70-100	96.7	9.3%	9.3%
90-120	1.1	0.1%	0.1%
0-90	1,034.2	99.6%	99.7%
90-180	2.7	0.3%	0.3%
0-180	1,036.9	99.9%	100%

Coefficients Of Utilization - Zonal Cavity Method

Effective Floor Cavity Reflectance: 20%

RCC %:	80				70				50				30				10				0
RW %:	70	50	30	0	70	50	30	0	50	30	20	0	50	30	20	0	50	30	20	0	0
RCR: 0	1.19	1.19	1.19	1.19	1.16	1.16	1.16	1.00	1.11	1.11	1.11	1.00	1.06	1.06	1.06	1.00	1.02	1.02	1.02	1.00	1.00
1	1.08	1.03	.99	.95	1.06	1.01	.97	.84	.97	.94	.91	.84	.93	.90	.88	.84	.89	.87	.85	.83	
2	.98	.90	.83	.77	.96	.88	.81	.70	.84	.79	.74	.67	.81	.76	.72	.67	.78	.74	.71	.69	
3	.89	.79	.70	.64	.87	.77	.69	.59	.74	.67	.62	.56	.71	.65	.61	.56	.69	.64	.60	.57	
4	.82	.69	.60	.54	.79	.68	.60	.51	.66	.58	.52	.47	.63	.57	.52	.47	.61	.55	.51	.49	
5	.75	.62	.53	.46	.73	.61	.52	.44	.59	.51	.45	.40	.57	.50	.45	.40	.55	.49	.44	.42	
6	.69	.56	.46	.40	.67	.55	.46	.38	.53	.45	.39	.34	.51	.44	.39	.34	.49	.43	.39	.36	
7	.64	.50	.41	.35	.62	.49	.41	.34	.48	.40	.35	.30	.46	.40	.34	.30	.45	.39	.34	.32	
8	.60	.46	.37	.31	.58	.45	.37	.30	.44	.36	.31	.26	.42	.36	.31	.26	.41	.35	.30	.29	
9	.56	.42	.34	.28	.54	.41	.33	.27	.40	.33	.28	.23	.39	.32	.28	.23	.38	.32	.27	.26	
10	.52	.39	.31	.25	.51	.38	.30	.25	.37	.30	.25	.20	.36	.30	.25	.20	.35	.29	.25	.23	

Made to order items. Minimum 90 day lead time. Minimum order quantity may vary please contact sales.

¹ DLC Listed / ² DLC Premium Listed / ³ Title 24 / ⁴ JA8 & Title 24 / Typical color consistency. May vary or be changed.

L70 hours calculated based on LED package manufacturer LM80 report and ISTMT report of LED in luminaire. Stated values are for select catalog numbers. Contact GlobaLux for detailed information. / Actual performance may differ as a result of end-user environment and application. All values are design or typical values, measured under laboratory conditions at 25 °C.