

PROJECT	NOTES	TYPE	DATE	CAT. No.
---------	-------	------	------	----------



BVL

Curved Bar Vanity Light

The BVL Bathroom Vanity Series radiates contemporary elegance, seamlessly blending with a variety of interior styles. Featuring gracefully rounded soft white glass shades paired with sleek metal components, this series offers a sophisticated touch to any bathroom. With four versatile lighting configurations, the BVL series is designed to enhance your space with a touch of refined grace.



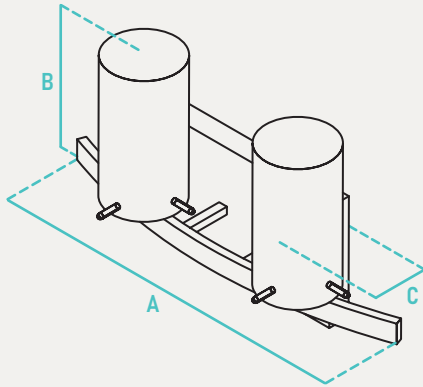
INPUT VOLTAGE	120V
INPUT FREQUENCY	60 Hz
RATED WATTAGE	60W Max ea.
DELIVERED LUMENS	N/A
EFFICACY	N/A
CRI	N/A
AVAILABLE CCT	N/A
LENS TYPE	Glass

RATED LIFE	35,000hrs (Based on 3hrs a Day)
L70	N/A
POWER FACTOR	>0.9
THD	N/A
DIMMING	N/A
OPERATING TEMP.	32°F - 104°F / 0°C to 40°C
BEAM ANGLE	N/A

ORDER INFO / EXAMPLE: BVL-3-MB-120-BN

QUICK SHIP ITEMS ON PG.2

SERIES	FORM FACTOR	LAMP CONFIGURATION	DRIVER TYPE	FINISH
BVL	3	MB	120	BN
BVL Curved Bar Vanity Light	1- 1 Light 2- 2 Light 3- 3 Light 4- 4 Light	MB- E26 Medium Base Socket, 60W Max per light	120- 120V	BL- Black BN- Brushed Nickel



QUICK SHIP

BVL-2-MB-120-BN

BVL-3-MB-120-BN

ADDITIONAL IMAGES



	A	B	C	Case QTY
BVL-1	6" W	8.5" H	5.25" D	N/A
BVL-2	12.75" W	8.5" H	5.25" D	4
BVL-3	20.5" W	8.5" H	5.25" D	4
BVL-4	27.25" W	8.5" H	5.25" D	N/A

CONSTRUCTION

White Glass shades surround a curved aluminum bar and mounting plate. Lens design and materials provide uniform appearance without pixelation.

ELECTRICAL

Equipped standard with 120-277V fixed output driver operating at 60Hz.

QUALIFICATIONS

All luminaires are built to UL 1598 and 2108 standards, and bear appropriate ETL labels. Damp location labeling is standard. Emergency equipped fixtures labeled UL924. Adheres to LM70, LM80 and TM21 industry standards. Dedicated 120V Models are FCC Title 47 CFR, Part 15, Class B for residential and commercial applications.

INSTALLATION

Designed for wall mounting on 4" electrical J-Box.

WARRANTY

3-year Limited Warranty. See warranty documentation for more info.

RECOMMENDED DIMMERS

DVCL-153P (Lutron)

Made to order items. Minimum 90 day lead time.
 Minimum order quantity may vary please contact sales.
¹ DLC Listed / ² DLC Premium Listed / ³ Title 24 / ⁴ JA8 & Title 24
 Typical color consistency. May vary or be changed. L70 hours calculated based on LED package manufacturer LM80 report and ISTMT report of LED in luminaire. Stated values are for select catalog numbers. Contact GlobaLux for detailed information.
 Actual performance may differ as a result of end-user environment and application. All values are design or typical values, measured under laboratory conditions at 25 °C.

COMPATIBLE JUNCTION BOX



4" PVC



4" Octagon



4" PVC Ceiling Box



3-1/2" Octagon



4" Round Pancake



4" Octagon / V Bracket